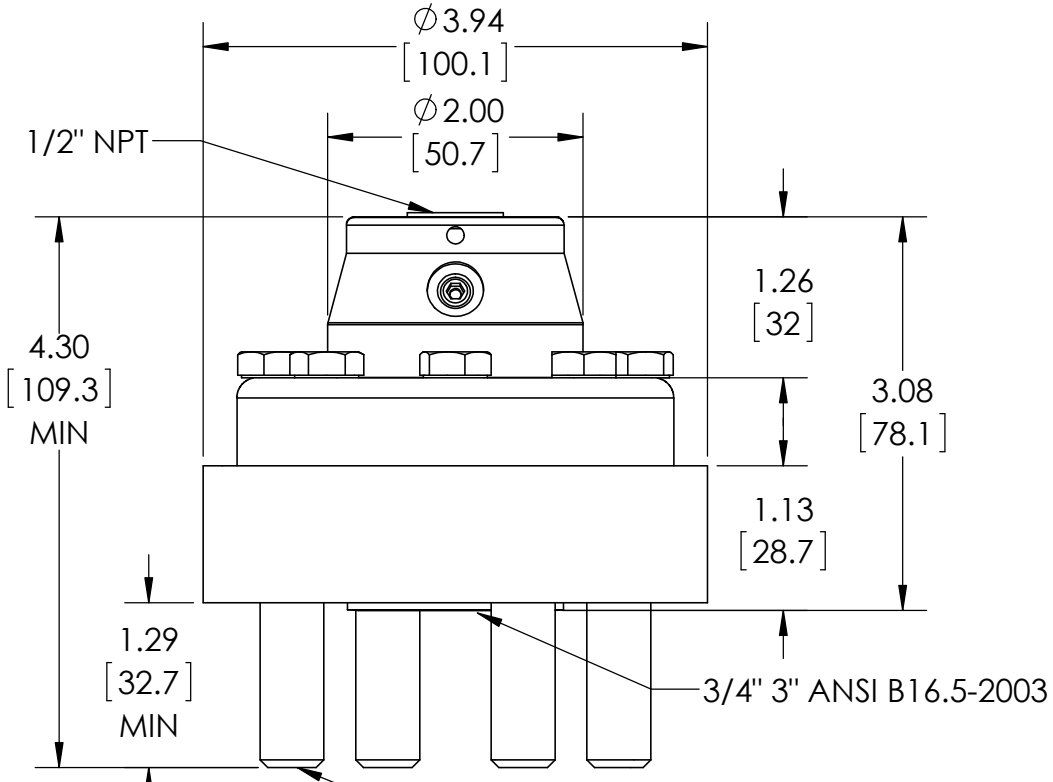




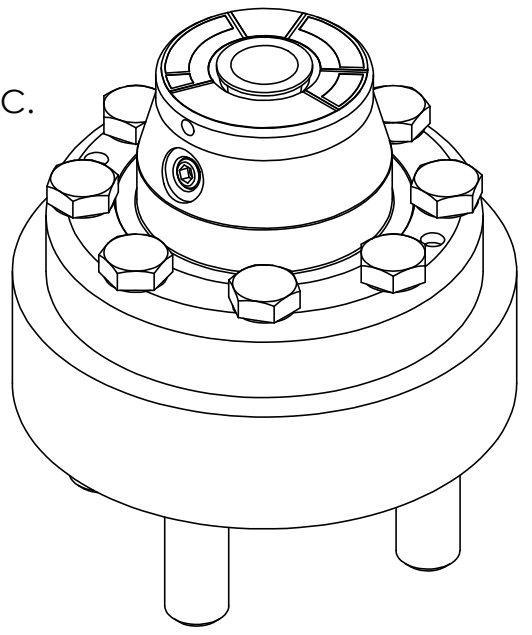
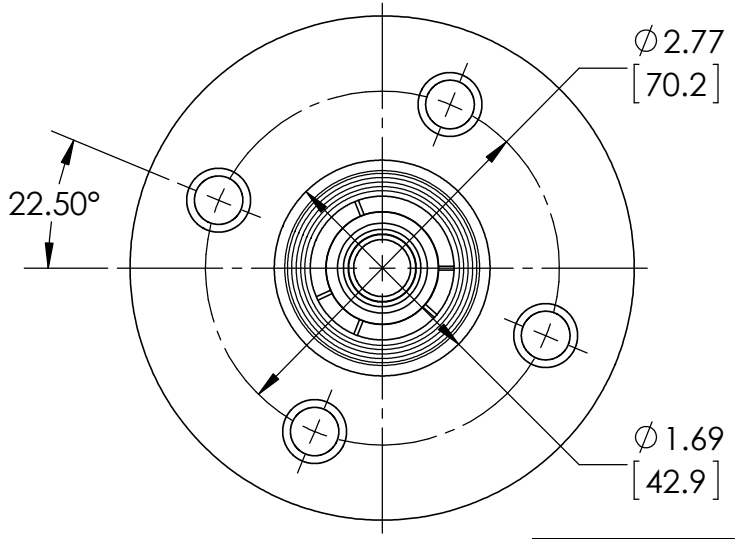
This drawing includes confidential information which is the property of ASHCROFT INC. This copy is loaned for a specific purpose, with the understanding that it will not be reproduced or used for any other purpose or disclosed to others, and it will be returned on demand.

**ASHCROFT** INC.

250 EAST MAIN STREET  
STRATFORD, CT 06614



(4) THREADED STUDS  
1/2-13NC-5 I.F. THD  
1.29 MIN DEPTH OF FULL THD  
EQUALLY SPACED ON A 2.765 B.C.



DIMENSIONS IN [ ] ARE MILLIMETERS

REV.	ECO	DESCRIPTION	BY	DATE
A	0005001	RELEASED GENERAL DIMS.	MJS	7/22/2010

This print certified correct for		General Dimensions		
Customer's Name		TYPE 102, 202, 302		
		PROCESS CONN: 3/4" - INSTRUMENT CONN: 1/2" NPT		
		FLANGE RATING: 150 RF		
Customer's Order No.	Drawn MJS	Date 7/22/10	Date of Issue	
Ashcroft Order No.	Checked	Date	SHEET-1	Rev.
Certified by	Date	Approved	Date	70A3301
				A