

Data Sheet

ZT16 High Purity Pressure Transmitter

FEATURES

- 316L SS wetted parts
- 7 µin Ra Surface finish option
- 100% Helium leak tested
- Clean room packaged
- 1.125" Surface mounting
- W and C seal types

TYPICAL USES

- High purity gas delivery systems
- Gas sticks
- Process gas analyzers



PERFORMANCE SPECIFICATIONS

Accuracy:	±0.5% or ±1.0% of span @ 23°C (Accuracy includes the effects of linearity, hysteresis and repeatability)
Stability:	<0.25% of span/Yr
Durability:	> 10m cycles

ENVIRONMENTAL SPECIFICATIONS

Operating Temperature:	-20°C to 70°C
Storage Temperature:	-30°C to 80°C
Temperature Effect:	±0.05% F.S./°C for units with ±0.5% Accuracy ±0.10% F.S./°C for units with ±1.0% Accuracy (Zero and Span) in operating temperature range

FUNCTIONAL SPECIFICATIONS

Response Time:	1ms
Proof Pressure:	200% of F.S.
Leakage Test:	< 5 x 10 ⁻¹¹ atm cc/s

ELECTRICAL SPECIFICATIONS

Supply Voltage:	21.6 - 26.4 Vdc (4 to 20mA Version) 10.8 - 13.2 Vdc or 21.6 - 26.4 Vdc (1-5 Vdc Version)
Load Resistance:	500 Ω max (4 to 20mA Version) 10K Ω min (1-5 Vdc Version)
Insulation Resistance:	> 100MΩ at 50 Vdc
EMC/EMI:	EN61326-1: 2013, EN61326-2-3: 2013
Output:	4 to 20mA (2 Wire) or 1-5 Vdc (3 Wire)

KEY BENEFITS

- Ultra-compact size; ideal for high density mounting
- Ultraclean design & packaging
- 316L SS Wetted parts for protection against corrosion
- 100% Helium leak tested

PHYSICAL SPECIFICATIONS

Pressure Connection:	1.125" Surface Mount (Type W and C)
Electrical Connection:	5 Pin round connector
Weight:	Appx 160g excluding cable
Weather Protection:	Indoor use

WETTED MATERIALS

Pressure Sensor:	316L SS (STD.) or CoNi Alloy (OPT.)
Surface Finish:	20 µin or 7 µin Ra (0.5 µm or 0.18 µm Ra)
Internal Volume:	Appx 0.04 In ³ / 0.7 cm ³

NON-WETTED MATERIALS

Case Material:	304 SS
----------------	--------

HAZARDOUS AREA CERTIFICATIONS

Approvals:	CE, RoHS
------------	----------

Data Sheet

ZT16 High Purity Pressure Transmitter

ORDERING CODE	Example:	ZT16	5	SMW	42	LW	2	V/150#
Model								
ZT16		ZT16						
Accuracy								
5 - ±0.50% of span			5					
7 - ±1.00% of span								
Pressure Connection								
SMW - 1.125" Surface mount "W" Type (UC Grade)				SMW				
SMC - 1.125" Surface mount "C" Type (UC Grade)								
Output								
42 - 4 to 20mA (2 Wire)					42			
15 - 1 - 5 Vdc (3 Wire)								
Electrical Termination								
LW - 5 Pin round connector w/o mating connector						LW		
L2 - 5 Pin round connector w mating connector & 3 foot (1 meter) cable								
L4 - 5 Pin round connector w mating connector & 6 foot (2 meter) cable								
L5 - 5 Pin round connector w mating connector & 9 foot (3 meter) cable								
Surface Finish / Cleaning Grade								
2 - UC Grade AOD/VAR 7 µin (0.18 µin) Ra & cleaned with no particles ≥0.1 µm							2	
Pressure Range								
V/150#	(See range table for all standard ranges)							V/150#

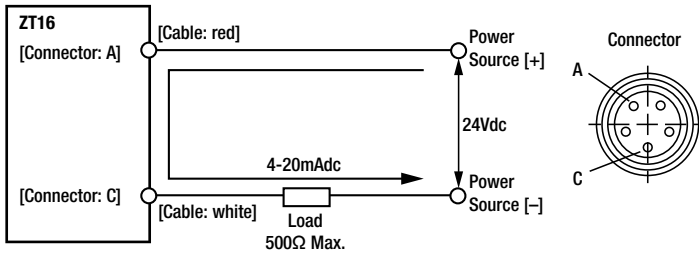
STANDARD RANGES		
psi	bar	mPa
V/45#	N1/3BR	NP1/P3MP
V/75#	N1/5BR	NP1/P5MP
V/150#	N1/10BR	NP1/P1MP
45#	3BR	P3MP
75#	5BR	P5MP
150#	10BR	1MP

ZT16 High Purity Pressure Transmitter

CONNECTOR & WIRING

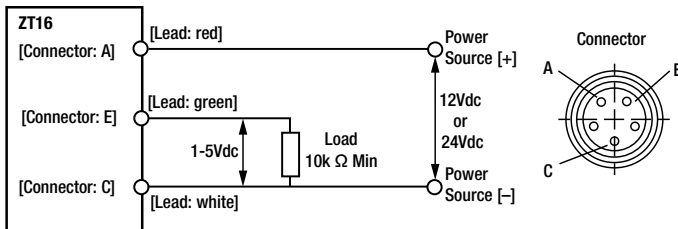
(1) 4 to 20mA dc output (current output)

- [Connector: A] — [Lead: Red] — [Power source (+)]
- [Connector: C] — [Lead: White] — [Power source (-)]



(2) 1 to 5vdc output (voltage output)

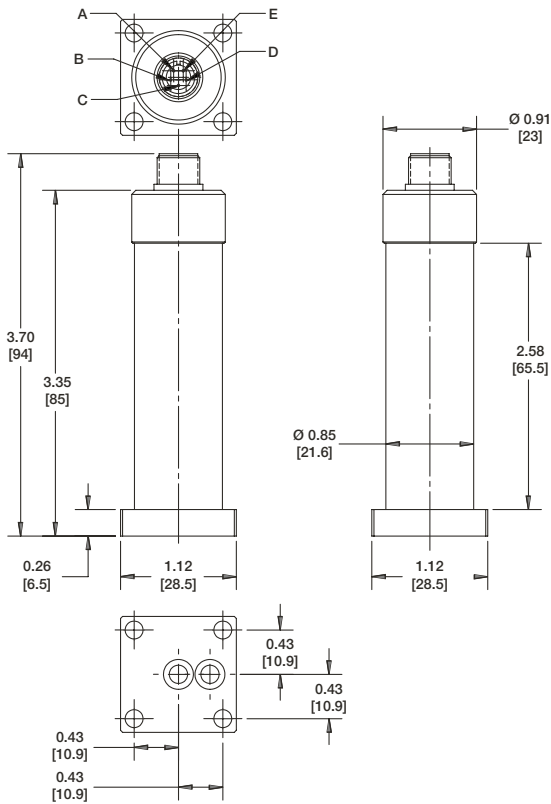
- [Connector: A] — [Lead: Red] — [Power source (+)]
- [Connector: C] — [Lead: White] — [Power source (-), Output (-)]
- [Connector: E] — [Lead: Green] — [Output (+)]



ZT16 High Purity Pressure Transmitter

DIMENSIONS Inches [mm]

ZT16 Surface Mount Type C



ZT16 Surface Mount Type W

