

## Data Sheet

### T6500-XRA Pressure Gauges All SS High Overpressure solid front process gauge

#### FEATURES

- Overpressure up to 400% of range (option XRA)
- Solid front all welded SS case
- 100mm and 160mm case size
- Weatherproof protection IP66
- ATEX approval CE Ex II 2 GD c
- Optional arctic ambient temperature -94°F/-70°C (option XQC)
- Dry, liquid filled or **PLUS!**™ Performance option

#### TYPICAL USES

- Offshore oil rigs
- Chemical and petrochemical plants
- Machine equipment
- Food and beverage industry
- Pulp and paper
- Power plants



**T6500-XRA**  
100mm dial size



#### SPECIFICATIONS

Accuracy:	1% of span (measured range)
Size:	100mm, 160mm
Range:	15 psi to 600psi
Process Conn. Location:	Lower
Process Conn. Size:	¼ NPT Male, ½ NPT Male, G ¼ B Male, G ½ B Male
Case Style:	T6500: Solid front with full rear blowout back
Movement:	Adjustable
Window Material:	T6500: Safety glass (STD.), acrylic (OPT.)
Dial:	Aluminum, white background, black figures and intervals, red overpressure zone
Pointer:	Aluminum
Weather Protection:	Dry: IP66 and NEMA 4X Liquid filled: IP66/67 and NEMA 4X Hermetically sealed case: IP66/67 and NEMA 4X
Dampening Options:	<b>PLUS!</b> ™ Performance, throttle screw, dampeners, snubbers and fill fluids
Mounting:	Stem and surface
Approvals:	Optional ATEX II 2 GD c IIC Tx for hazardous areas (File No. 35134582 at notified body 0044, TÜV NORD CERT) CE (Conformité Européenne) EAC (EurAsian Conformity)

#### WETTED COMPONENTS

Bourdon Tube	Process Connection	Joints
316L SS	316 SS	Welded

#### KEY BENEFITS

- Overpressure up to 400% of range for superior safety
- Protects when sudden pressure surge occurs at start-up or during process pressure spikes

#### NON-WETTED COMPONENTS

Case	Ring	Back Cover
304 SS (STD.)	304 SS	304 SS
316 SS (OPT.)	316 SS	316 SS

#### MIN/MAX TEMPERATURE LIMITS

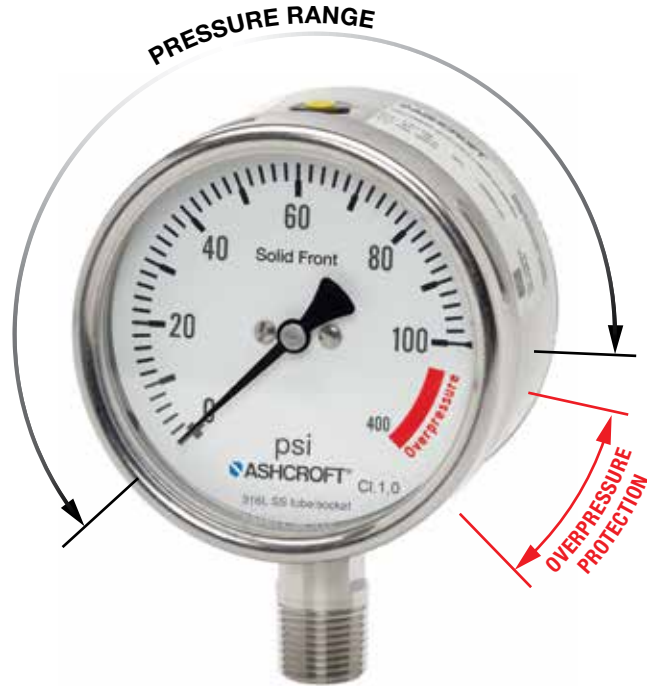
Version	Ambient	Process	Storage
Dry	-40°F to 158°F (-40°C to 70°C)	-40°F to 392°F (-40°C to 200°C)	-40°F to 158°F (-40°C to 70°C)
<b>PLUS!</b> ™	-40°F to 158°F (-7°C to 70°C)	-40°F to 200°F (-40°C to 93°C)	-40°F to 158°F (-40°C to 70°C)
Glycerin fill	19°F to 158°F (-7°C to 70°C)	19°F to 199°F (-7°C to 93°C)	-40°F to 158°F (-40°C to 70°C)
Silicone fill	-40°F to 158°F (-7°C to 70°C)	-40°F to 199°F (-40°C to 93°C)	-40°F to 158°F (-40°C to 70°C)
Halocarbon® fill	-40°F to 158°F (-40°C to 66°C)	-40°F to 199°F (-40°C to 93°C)	-40°F to 158°F (-40°C to 66°C)
ATEX	-40°F to 140°F (-40°C to 60°C)	Per ATEX & liquid fill limit	-40°F to 158°F (-40°C to 70°C)
Low Temp. Silicone	-94°F to 158°F (-70°C to 70°C)	-94°F to 200°F (-70°C to 93°C)	-94°F to 158°F (-70°C to 70°C)

**T6500-XRA Pressure Gauges**  
All SS High Overpressure solid front process gauge

**PRESSURE RANGE TABLES**

**PSI RANGES**

Pressure Range	Overpressure Protection (psi)	Overpressure Protection (% of Range)
15	60	400%
20	80	400%
30	120	400%
60	240	400%
100	400	400%
120	480	400%
160	600	375%
200	800	400%
300	1000	333%
400	1000	250%
500	1250	250%
600	1500	250%



**BAR & KILOGRAM RANGES**

Pressure Range	Overpressure Protection (bar/kg)	Overpressure Protection (% of Range)
1	4	400%
1.6	6	375%
2.5	10	400%
4	16	400%
6	25	417%
10	40	400%
16	60	375%
25	80	320%
40	100	250%

**KPA RANGES**

Pressure Range	Overpressure Protection (kPa)	Overpressure Protection (% of Range)
100	400	400%
160	640	400%
250	1000	400%
400	1600	400%
600	2400	400%
1000	4000	400%
1600	6000	375%
2500	10,000	400%
4000	13,320	333%

**MPA RANGES**

Pressure Range	Overpressure Protection (mPa)	Overpressure Protection (% of Range)
0.1	0.4	400%
0.16	0.64	400%
0.25	1	400%
0.4	1.6	400%
0.6	2.4	400%
1	4	400%
1.6	6	375%
2.5	10	400%
4	13	333%

# Data Sheet

## T6500-XRA Pressure Gauges

All SS High Overpressure solid front process gauge

ORDERING CODE	Example:	10T6500	S	D	02	L	15#	XRA
<b>Dial Size/Model Code</b>								
10T6500 -100mm - 304 SS case, solid front		10T6500						
16T6500 -160mm - 304 SS case, solid front								
10T6500 -100mm - 316L SS case, solid front (when ordered with XYW)								
16T6500 -160mm - 316L SS case, solid front (when ordered with XYW)								
<b>System</b> (tube and process connection)								
S - 316L SS			S					
<b>Case Design</b>								
D - Dry				D				
L - Liquid fill								
<b>Process Connection Sizes</b>								
02 - ¼ NPT Male					02			
04 - ½ NPT Male								
13 - G ¼ B Male								
15 - G ½ B Male								
<b>Process Connection Location</b>								
L - Lower						L		
<b>Range</b> (coding examples only, see range table on page 2 for all standard ranges)								
<b>Single Scales</b>								
15# - 15 psi							15#	
1KG - 1 kg/cm <sup>2</sup>								
1BR - 1 bar								
160KP - 160 kilopascal								
<b>Options</b> (If choosing an option(s) must include an "X")								
								X__
<b>Dampening</b>								
GV - Silicone fill								
LL - <b>PLUS!</b> ™ Performance								
NZ - <b>PLUS!</b> ™ Performance, silicone free								
TU - Throttle plug								
QC - Low temperature silicone fill for ambient temperature down to -94°F (-70°C), including Fluorosilicone sealing (for 100 mm T6500 only)								
<b>Case</b>								
FF - Front flange on bayonet ring (100mm only)								
FW - Wall mounting flange								
FF - Front flange tack welded to case								
YW - 316L SS case								
<b>Windows/Pointers/Dial</b>								
PD - Acrylic window								
SH - Red set hand, stationary (dry case only)								
D3 - DuraVis™ Retroreflective Dial (100mm only, dry case only)								
<b>Other</b>								
VS - Underload stop								
NH - SS tag wired to case								
6B - Cleaned for gaseous oxygen service								
AT - ATEX								
C4 - Individual calibration chart								
RA - High over pressure - sometimes called retard scale								RA

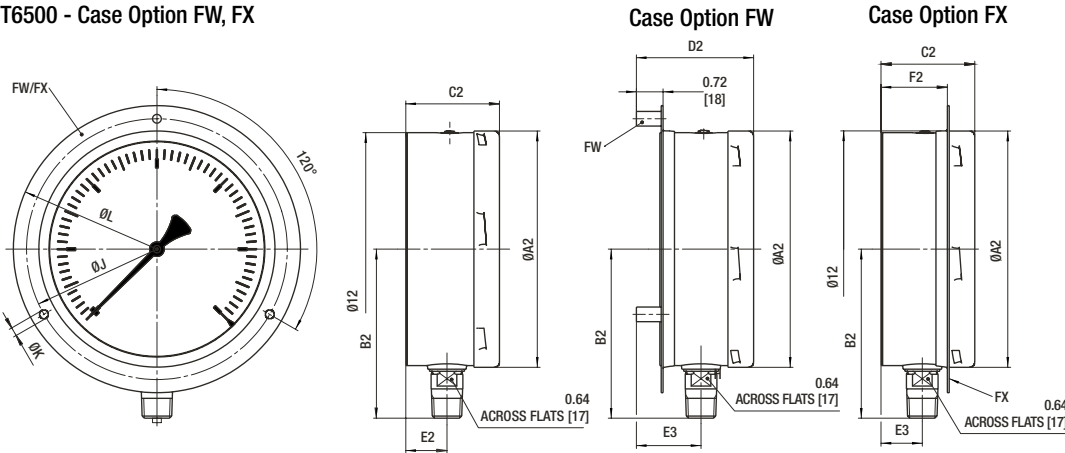
### EAC compliance on application

**T6500-XRA Pressure Gauges**  
All SS High Overpressure solid front process gauge

**DIMENSIONS** in [ ] are millimeters

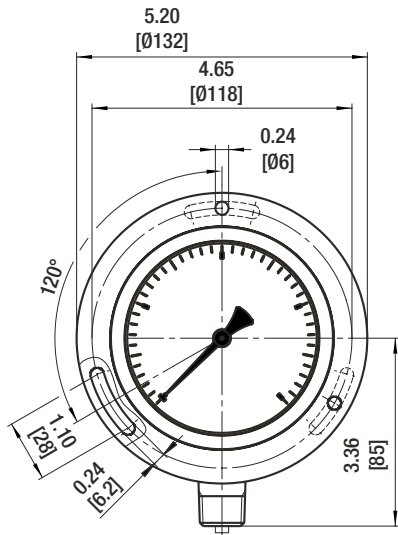
For reference only, consult Ashcroft for specific dimensional drawings.

T6500 - Case Option FW, FX



T6500 - Case Options FW, FX												
Dial Size	A	B	C <sub>2</sub>	D <sub>2</sub>	E <sub>2</sub>	E <sub>3</sub>	F <sub>2</sub>	12	J	K	L	Weight
100 mm	3.97 [101]	3.36 [85]	2.38 [61]	2.91 [74]	1.02 [26]	1.55 [39]	1.63 [42]	4.00 [102]	4.65 [118]	0.24 [6]	5.20 [132]	Dry 2.0 lbs LF 4.4 lbs
160 mm	6.35 [161]	4.54 [115]	2.52 [64]	3.15 [80]	1.11 [28]	1.74 [44]	1.78 [45]	6.36 [162]	7.01 [178]	0.24 [6]	7.72 [196]	Dry 2.7 lbs LF 5.0 lbs

T6500 100mm - Case Option FF



T6500 - 100mm

