

PD02 Pressure Snubber

FEATURES

- 316L SS or Hastelloy C-276 body
- External pulsation adjustment to meet a variety of applications
- Wetted parts compatible with many processes

TYPICAL USES

- Oil and gas
- Refineries
- Chemical and petrochemical
- Water and wastewater
- Biogas and biodiesel



PD02
Pressure Snubber

SPECIFICATIONS

Process Conn: ½ NPT Male

Instrument Conn: ½ NPT Female

Max Allowable Working Pressure: 6000 psi

Maximum Temperature: 248°F/120°C

WETTED COMPONENTS

Part	Style A	Style B
Body	316L SS	Hastelloy C-276
Valve Stem	316L SS	Hastelloy C-276
O-Ring	FKM	FKM

NON-WETTED COMPONENTS

Part	Style A	Style B
Screw Plug	316Ti SS	316Ti SS

KEY BENEFITS

- External adjustment allows for dampening action to be increased or decreased
- Protects pressure instrument from process pressure pulsation

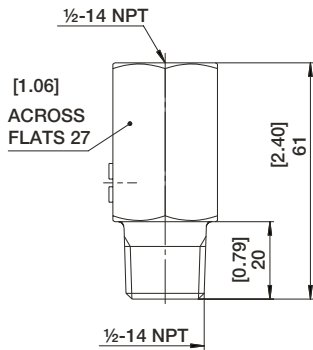
PD02 Pressure Snubber

ORDERING CODE:	Example:	04	PD02	A	SS	50	- X5G
Process Connection							
04 - ½ NPT Male							
Model							
PD02 - Pressure snubber			PD02				
Style							
A - 316L Stainless steel				A			
B - Hastelloy C-276							
Material							
SS - 316L Stainless steel					SS		
HH - Hastelloy C-276							
Instrument Connection							
50 - ½ NPT Female							
Options (if choosing an option(s) must include an "-X")							
5G - Siphon attached to instrument							5G

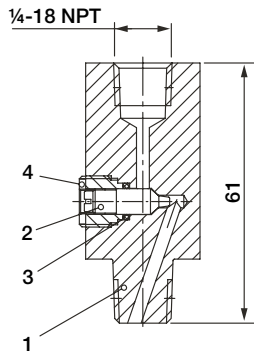
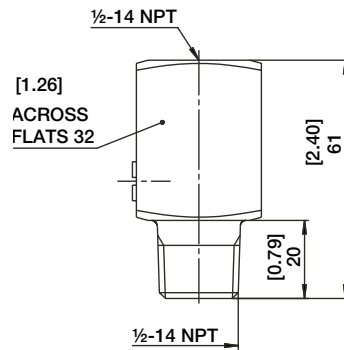
DIMENSIONS

For reference only, consult Ashcroft for specific dimensional drawings

**Style A Snubber
(316L SS)**



**Style B Snubber
Hastelloy C-276**



COMPONENTS	
Part	Materials
1 - Body	316L Stainless Steel
2 - Valve Stem	316L Stainless Steel
4 - Screw Plug	316Ti Stainless Steel
3 - O-Ring	FKM