

## Data Sheet

# V02 Series Monoflange

### FEATURES

- A variety of styles:
  - Block and bleed, screwed bonnet design (MN)
  - Double block and bleed, OS&Y bolted bonnet design (MG)
  - Block and bleed, OS&Y bolted bonnet design (MD)
- 316L Stainless steel construction
- Anti-tamper head units

### TYPICAL USES

- Oil & Gas Industry
  - Upstream: Onshore/offshore production
  - Midstream: Transport, storage and natural gas compression
  - Downstream: Refineries & petrochemical industries
- Chemical Industry
- Power Plants
  - Conventional power plants
  - Nuclear power plants
  - Flue gas desulfurization plants

### SPECIFICATIONS

Flanged Process Connection: ½"-3" Raised face, ring joint

Instrument Connection: ½ NPT Female

Construction: 316LSS (STD.) Others available on request

Max. Pressure Rating for valve head: 6092 psi at 428°F (420 bar at 220°C) more details, check chart below  
10,000 psi (OPT.) for instrument type

Max. Temperature Rating for valve head:

PTFE 450°F (232°C)

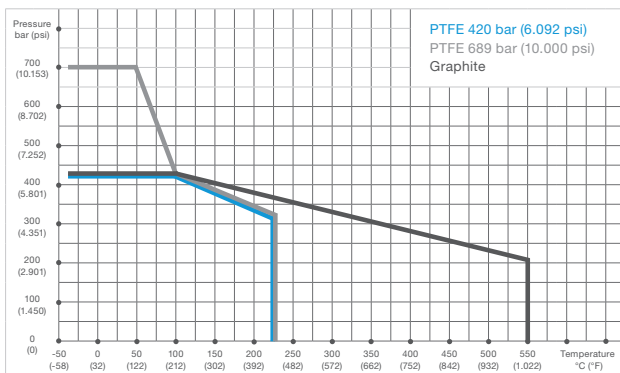
Graphite 1,022°F (550°C)

Oxygen service 392°F (200°C)

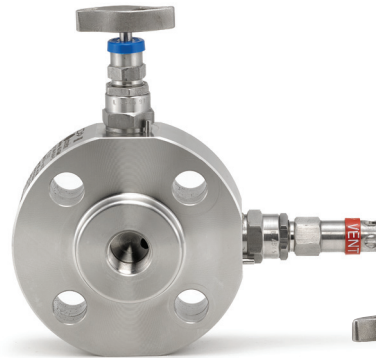
Min. Temperature Rating for valve head:

PTFE -40°F (-40 °C)

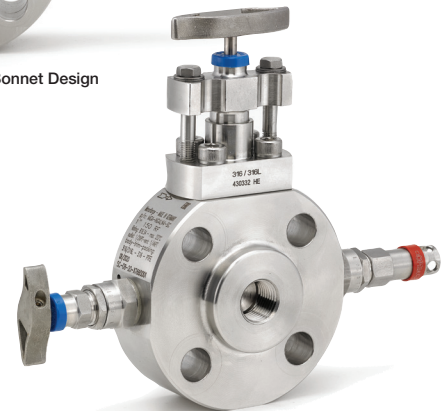
Graphite -40°F (-40 °C)



Pressure and Temperature ratings are for valve head units only. ASME B16.5 should be adhered to for all flange pressure and temperature ratings.



Block and Bleed Screwed Bonnet Design  
MN Monoflange



Double Block and Bleed  
OS&Y Bolted Bonnet Design  
MG Monoflange

- PTFE Packing (other materials available upon request)
- Non-rotating needle tip with blowout protection
- Supplied with wetted parts according to NACE MR0175/MR0103 (CD-5 Certificate)
- Material traceability reports available per EN 10204 3.1

### COMPONENTS

### MATERIAL

#### Wetted

Body	1.4404 (316L Stainless steel)
Needle	1.4404 (316L Stainless steel)
Packing	PTFE
Bonnet	316 Stainless steel
Pipe plug	1.4404 (316L Stainless steel)

#### Non-Wetted

Valve stem	1.4404 (316L Stainless steel)
T-handle	316 Stainless steel
Lock nut	316 Stainless steel
Gland	316 Stainless steel

# V02 Series Monoflange

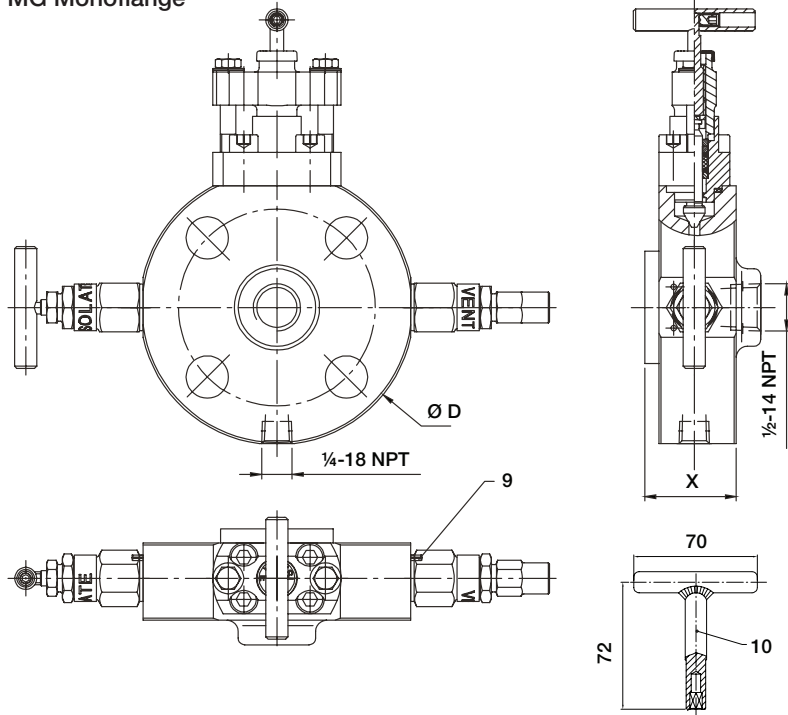
ORDERING CODE	Example:	MD	V02	50	150	RF	SS	50 -	X2G
<b>Monoflange Model</b>									
MD - Block and Bleed (OS&Y Bolted Bonnet Design)		MD							
MG - Double Block and Bleed (OS&Y Bolted Bonnet Design)									
MN - Block and Bleed (Screwed Bonnet Design)									
<b>Series Code</b>									
V02 - Valve			V02						
<b>Flange Connection</b>									
50 - 1/2"				50					
10 - 1"									
15 - 1 1/2"									
20 - 2"									
30 - 3"									
<b>Flange Rating (see ASME B16.5 for pressure/temperature ratings)</b>									
150 - ASME 150					150				
300 - ASME 300									
600 - ASME 600									
900 - ASME 900									
1500 - ASME 1500									
2500 - ASME 2500									
<b>Flange Type</b>									
RF - Raised Face						RF			
RJ - Ring Joint									
<b>Material</b>									
SS - 316L Stainless Steel							SS		
<b>Instrument Connection</b>									
50 - 1/2 NPT Female								50 -	
<b>Options (if choosing an option(s) must include an "X")</b>									
C3 - Material traceability report per EN 10204 3.1									X _ _
CD-5 - Certificate according to NACE for oil fields MR0175/ISO 15156-2009 and for refineries MR0103-2010									
P7 - Power piping acc. to ASME B31.1 (includes graphite packing for head unit)									
HY - Hydrostatic testing									
NH - Stainless Steel Tags wired to valve									
6B - Cleaned for oxygen service									

## V02 Series Monoflange

### DIMENSIONS IN ( ) ARE MILLIMETERS

Drawings are for reference only, consult Ashcroft for specific dimensional drawings.

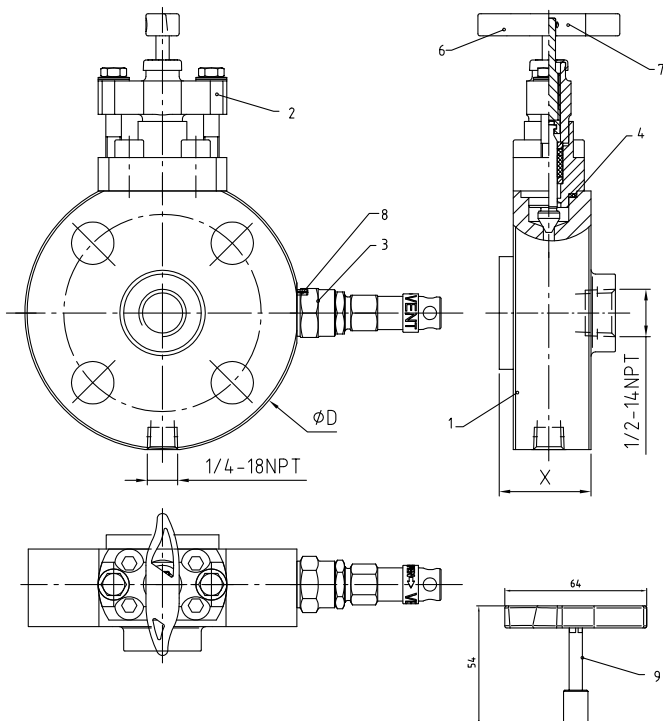
#### Double Block and Bleed OS&Y Bolted Bonnet Design MG Monoflange



**MG DIMENSION TABLE**

Flange Type	D	X
1/2 150RF	3.88 (98.6)	1.44 (36.6)
1/2 300RF	3.88 (98.6)	1.44 (36.6)
1/2 600RF	3.88 (98.6)	1.63 (41.4)
1/2 900RF	4.75 (120.7)	1.63 (41.4)
1/2 1500RF	4.75 (120.7)	1.63 (41.4)
1/2 2500RF	5.25 (133.4)	1.63 (41.4)

#### Block and Bleed OS&Y Bolted Bonnet Design MD Monoflange



**MD DIMENSION TABLE**

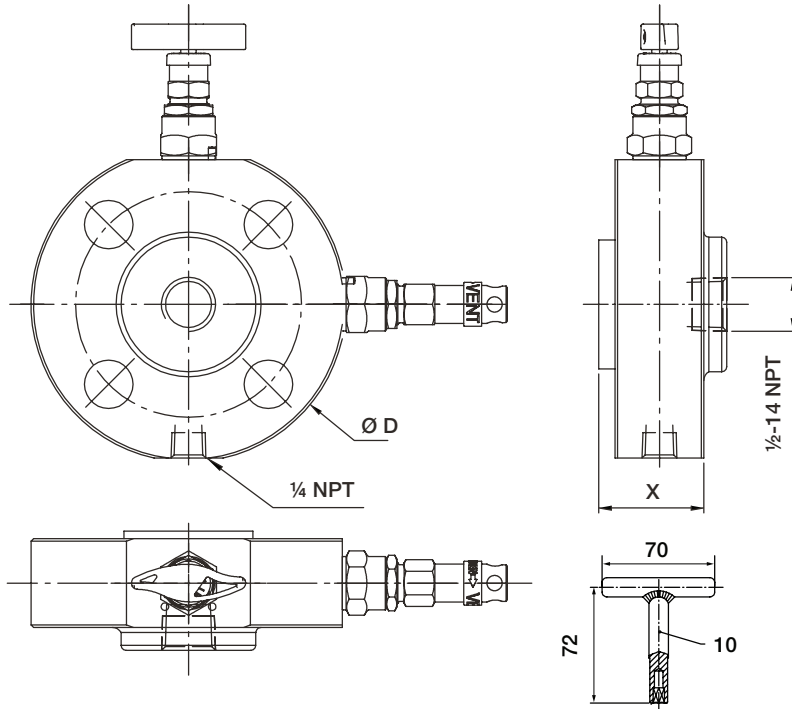
Flange Type	D	X
1/2 150RF	3.88 (98.6)	1.44 (36.6)
1/2 300RF	3.88 (98.6)	1.44 (36.6)
1/2 600RF	3.88 (98.6)	1.63 (41.4)
1/2 900RF	4.75 (120.7)	1.63 (41.4)
1/2 1500RF	4.75 (120.7)	1.63 (41.4)
1/2 2500RF	5.25 (133.4)	1.63 (41.4)

## V02 Series Monoflange

**DIMENSIONS** IN ( ) ARE MILLIMETERS

Drawings are for reference only, consult Ashcroft for specific dimensional drawings.

Block and Bleed Screwed Design  
MN Monoflange



**MN DIMENSION TABLE**

Flange Type	D	X
1/2 150RF	3.50 (88.9)	1.32 (33.6)
1/2 300RF	3.75 (95.3)	1.32 (33.6)
1/2 600RF	3.75 (95.3)	1.51 (38.4)
1/2 900RF	4.75 (120.7)	1.51 (38.4)
1/2 1500RF	4.75 (120.7)	1.51 (38.4)
1/2 2500RF	5.25 (133.4)	1.51 (38.4)