

GC31 Ultra-Compact Digital Transducer

FEATURES

- Combination of digital pressure gauge, switch and transducer
- Simple “push-button” configurability allows user to adjust switch settings and analog scaling
- Numerous standard ranges available

TYPICAL USES

- Hydraulic presses
- Stamping equipment
- Lifts
- Tire press vulcanization
- Pressure monitoring
- Water, refrigerant or ammonia based cooling systems
- Pressure monitoring on lubrication systems

PERFORMANCE SPECIFICATIONS

Reference Temperature: 73°F (23°C)

Analog Output: 1-5 Vdc

Accuracy: ±1.0% of span
Accuracy includes linearity, hysteresis and repeatability (URL)

Response Time: 50 ms

Output Resolution: 25 mV

Analog Scaling: User may configure analog output scaling to any range within F.S. of sensor range

Pressure Switch Output:

Type: NPN or PNP open collector up to 30 Vdc/80 mA

Setting Accuracy: ±1.0% of span (URL)

Number of Contacts: 2

Time Delay: 5 ms-2 sec (selectable)

Hysteresis: Variable deadband (by user)

Switch Setting: User may adjust switch actuation and dead-band to any points within F.S. sensor range

Display:

Type: 3½ digit, 10 mm LED

Accuracy: ±1.0% of span + last digit (URL)

Display Setting: User may re-configure display scaling, set to capture MIN or MAX value, and adjust display update rate

CE Compliance: EN61326-1 2006, EN61326-2-3 2006

ENVIRONMENTAL SPECIFICATIONS

Temperature Effects: Zero/Span: ±0.03% span/F (±0.05% F.S./C) (ref. 73°F (23°C))

Temperature Limits: Storage: -22°F to 140°F (-30°C to 60°C)
Operating: -4°F to 140°F (-20°C to 60°C)
Compensated: 14°F to 122°F (-10°C to 50°C)

Humidity: 0-85% RH, Non-condensing



GC31
Pressure Transducer



KEY BENEFITS

- Ultra-compact indicating transducer with analog scaling and switch options
- Field-proven thin film sensor
- Monitors a wide variety of applications

FUNCTIONAL SPECIFICATIONS

Overpressure:	Proof:	Burst:
<500 psi	2 X Range (URL)	8 X Range (URL)
>1,000 psi	1.5 X Range (URL)	8 X Range (URL)

ELECTRICAL SPECIFICATIONS

Power Supply Requirements:

Supply Voltage: 11-27 Vdc

Current Consumption: 30 mA (Max.)

Switch Contacts: (2) NPN or PNP open collector outputs

NPN: 30 Vdc / 80 mA (Max.)

PNP: Voltage drop 1 Vdc (Max.) / 80 mA (Max.)

GC31 Ultra-Compact Digital Transducer

PHYSICAL SPECIFICATIONS

Pressure Connection:	¼ NPT Male
Environmental Rating:	IP40
Weight:	Approx. 110 grams
Mounting:	Panel mounting bracket included (Back connect only)
Electrical Connection Size:	6' cable pigtail

OPTIONAL FEATURES

Calibration Report:	9 point traceable calibration report
---------------------	--------------------------------------

WETTED MATERIAL

Diaphragm	Process Connection	Media Compatibility
17-4PH SS	304 SS	Fluids and gases compatible with 316 SS (sensor housing) and 17-4PH SS (sensor diaphragm)

NON-WETTED

Enclosure
ABS, polycarbonate, aluminum



Featuring highly reliable CVD thin film pressure sensing technology

ORDERING CODE

Example:

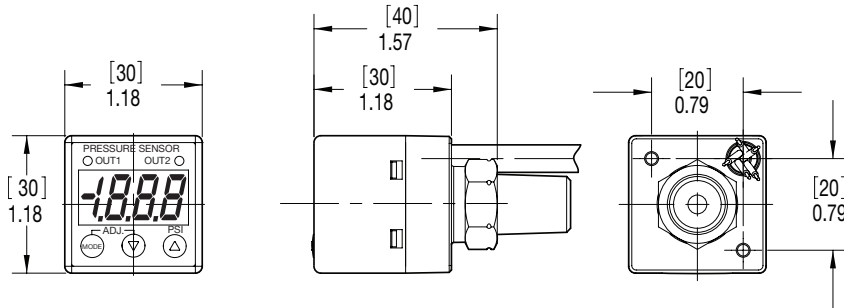
	GC31	7	M02B	1N	F4	15#&V	-XRH
Model	GC31						
GC31 - Ultra-compact digital pressure sensor	GC31						
Accuracy		7					
7 - ±1.0% of span		7					
Pressure Fitting			M02B				
M02L - ¼ NPT Male w/ lower connect			M02B				
M02B - ¼ NPT Male w/ back connect			M02B				
Output Signal				1N			
1N - 1-5 Vdc: Analog w/2X NPN Type switches				1N			
1P - 1-5 Vdc: Analog w/2X PNP Type switches							
Electrical Connection					F4		
F4 - 6' (2m) cable					F4		
Pressure Range							
Compound						15#&V	
15#&V - Vac-15 psig						15#&V	
75#&V - Vac-75 psig							
150#&V - Vac-150 psig							
300#&V - Vac-300 psig							
Gauge							
50#G - 0-50 psig							
100#G - 0-100 psig							
150#G - 0-150 psig							
300#G - 0-300 psig							
500#G - 0-500 psig							
1000#G - 0-1,000 psig							
1500#G - 0-1,500 psig							
Option (if including an option(s) must include an "X")							X
RH - Traceable 9 point calibration report							RH

GC31 Ultra-Compact Digital Transducer

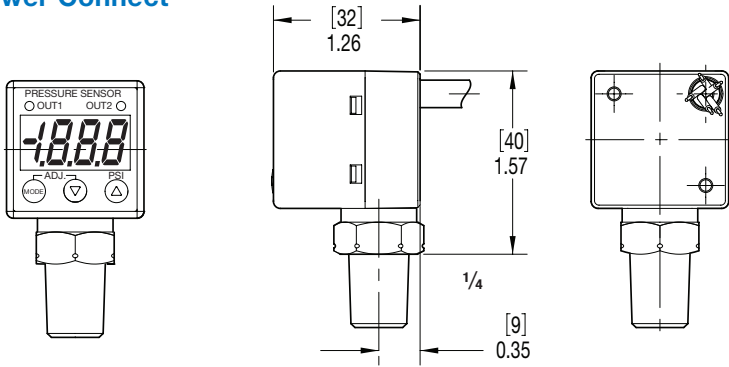
DIMENSIONS in [] are millimeters

For reference only, consult Ashcroft for specific dimensional drawings

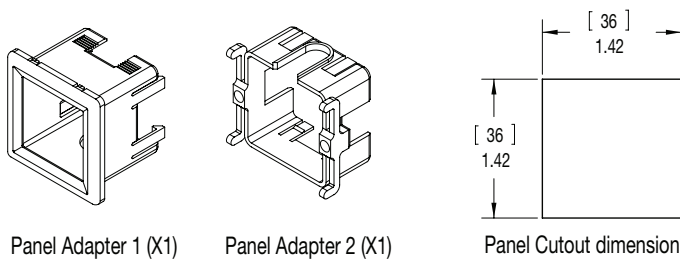
Back Connect



Lower Connect



Panel Mounting Kit (back connection only)



Notes:

Back connect version (M02B/MG2B) to be supplied with panel mount adapter in box