

GC30 Differential Pressure Transducer

FEATURES

- Combination of digital pressure gauge, switch and transducer
- Simple “push-button” configurability allows user to adjust switch settings, analog scaling
- Numerous standard ranges available

TYPICAL USES

- Filter Monitoring
- Clean Room Pressure Differential
- Vacuum/Suction Pressure Sensing & Control
- Fan Speed Control
- Alarm and Control



GC30 Differential Pressure Transducer

PERFORMANCE SPECIFICATIONS

Reference Temperature:	73°F (23°C)
Analog Output:	1-5 Vdc
Accuracy:	±1.5% of span Accuracy linearity, hysteresis and repeatability (URL)
Response Time:	50ms
Output Resolution:	25mV
Analog Scaling:	User may configure analog output scaling to any range within F.S. of sensor range

Pressure Switch Output:

Type:	NPN/PNP open collector up to 30 Vdc/80 mA
Setting Accuracy:	±1.5% of span (URL)
Number of Contacts:	2
Time Delay:	5ms-2sec (selectable)
Hysteresis:	Variable deadband (by user)
Switch Setting:	User may adjust switch actuation and dead-band to any points within full scale sensor range

Display:

Type:	3½ digit, 10mm LED
Accuracy:	±1.5% of span + last digit (URL)
Display Setting:	User may re-configure display scaling, set to capture MIN or MAX value, and adjust display update rate

ENVIRONMENTAL SPECIFICATIONS

Temperature Effects: (ref. 73°F (23°C))	Zero/Span: ±0.09%/°F (±0.15%/°C): ±2.5" W.C., 0/2.5" W.C. and below ±0.06%/°F (±0.10%/°C): ±5.0" W.C., 0/5.0" W.C. and above
Temperature Limits:	Storage: -22°F to 140°F (-30°C to 60°C) Operating: -4°F to 140°F (-20°C to 60°C) Compensated: 14°F to 122°F (-10°C to 50°C)
Humidity:	0-85% RH, Non-condensing

KEY BENEFITS

- Ultra-compact design
- User may configure analog output scaling to any range within full scale of sensor range.

FUNCTIONAL SPECIFICATIONS

Max Static Pressure:	Proof:	Burst:
7.5 psi (50 kPa)	7.5 psid (50 kPa)	25 psig (170 kPa)

CE Compliance	EN61326-1 2006, EN61326-2-3 2006
---------------	----------------------------------

ELECTRICAL SPECIFICATIONS

Power Supply Requirements:

Supply Voltage:	11-27 Vdc
Current Consumption:	30 mA (Max.)

Switch Contacts: (2) NPN or PNP open collector outputs

NPN:	30 Vdc / 80 mA (Max.)
PNP:	Voltage drop 1 Vdc (Max.) / 80 mA (Max.)

GC30 Differential Pressure Transducer

PHYSICAL SPECIFICATIONS

Pressure Connection Size:	4mm barb
Environmental Rating:	IP40
Weight:	Approx. 75 grams
Mounting:	Panel mounting bracket included
Electrical Connection:	6' cable pigtail

Featuring a highly reliable variable capacitance sensor using the patented Ashcroft® Si-Glass® sensor. This ultra-thin single crystal diaphragm provides inherent sensor repeatability and stability.

WETTED MATERIAL

Media

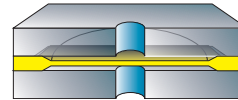
Clean, dry air/gas compatible with Aluminum, Titanium, ABS, Ceramic, Silicon & Silicone RTV. NOT FOR USE ON LIQUIDS

NON-WETTED

Enclosure

ABS, polycarbonate, aluminum

SENSOR CROSS SECTION



The silicon diaphragm sensor has no glues or other organics to contribute to drift or mechanical degradation over time.

ORDERING CODE

Example:

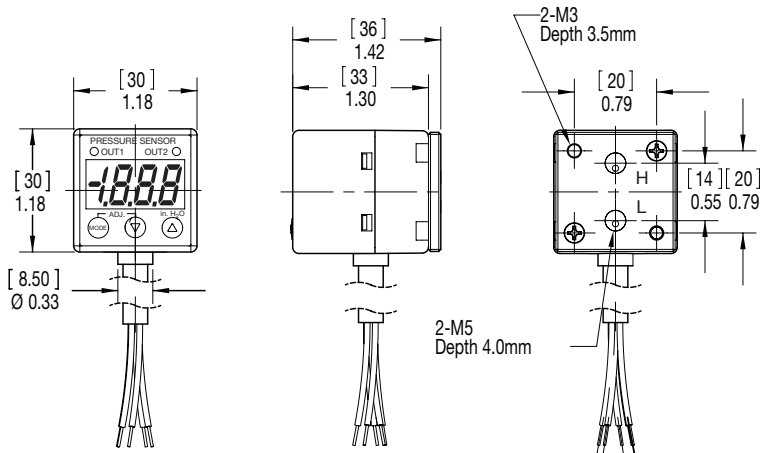
GC30 9 M5B 1N F4 P25IWL - XRH

Model	GC30 - Ultra-compact digital differential pressure sensor	GC30	9	M5B	1N	F4	P25IWL	- XRH
Accuracy	9 - ±1.5% of span		9					
Pressure Connection	M5B - 4mm ID Barb			M5B				
Output Signal	1N - 1-5 Vdc: Analog w/2X NPN Type switches 1P - 1-5 Vdc: Analog w/2X PNP Type switches				1N			
Electrical Connection	F4 - 6' (2m) cable					F4		
Pressure Range								
Bidirectional	P25IWL - ±0.25 IWC P5IWL - ±0.5 IWC 1IWL - ±1.0 IWC 2IWL - ±2 IWC 5IWL - ±5 IWC 10IWL - ±10 IWC 25IWL - ±25 IWC						P25IWL	
Differential	P25IW - 0.25 IWC P5IW - 0.5 IWC 1IW - 1.0 IWC 2IW - 2 IWC 5IW - 5 IWC 10IW - 10 IWC 25IW - 25 IWC							
Option (if including an option(s) must include an "X")	RH - Traceable 9 point calibration report							X__ RH

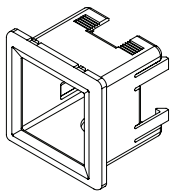
GC30 Differential Pressure Transducer

DIMENSIONS in [] are millimeters

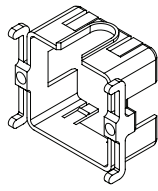
For reference only, consult Ashcroft for specific dimensional drawings



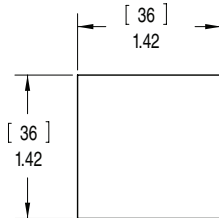
Panel Mounting Kit (included)



Panel adapter 1 (X1)

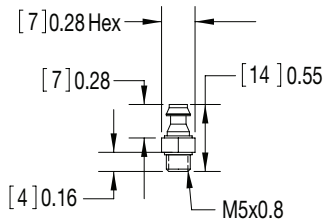


Panel adapter 2 (X1)



Panel cutout dimension

Barb Dimensions



4mm Barb (x 2)

(suitable for 4mm (0.156") I.D. tubing)

Notes:

1. Unit to be shipped with panel mount adaptor in box
2. Unit to be supplied with 4mm fittings in box