

Flanged Thermowells

FEATURES

- One piece bar stock construction
- Stamped with mill traceable material and heat number
- Full penetration welds on flanged thermowell
- Standard or customized shank dimensions
- Testing and certifications including wake frequency calculations per ASME PTC 19.3 TW-2016

TYPICAL USES

- Chemical and Petrochemical Plants
- Water and Wastewater Pressure Control
- Pharmaceutical / Biotech
- Food and Beverages



Flanged Thermowells
1", 1½", 2" flange sizes

SPECIFICATIONS

Shank Style:	Straight, Tapered, Stepped
Process Connection:	1", 1½", 2"
Instrument Connection:	½ NPSM, ½ NPT Female
Bore Size:	0.260", 0.385"
Flange Facing:	Raised, Flat, Ring Joint
Rating/Class:	150, 300, 600, 900, 1500, 2500
Surface Finish:	16-32, flange finish 125-250 RMS
Lagging:	2": if U-dimension is <3" 3": if U-dimension is >3"
Cap and Chain:	Brass, SS

TABLE 1

OPTIONS	CODE
Stamp tag number on thermowell	NF
SS tag wired to thermowell	NH
Hydrostatic test-external	W4
Clean for oxygen service	6B
Wake frequency calculation	W5
Liquid dye penetrant	W2
Material origin restriction	UM
Certificates	
Certificate of Conformance (per order)	CD-1A
Physical and Chemical Material Test Report (MTR's)	W6
Positive Material Identification (PMI) (N/A with Carbon Steel)	MQ
NACE Certificate of Compliance	CD-5

KEY BENEFITS

- Protects instrument against corrosive effects
- Permits instrument interchange or calibration check
- Tracing of material origin for quality assurance and control

TABLE 2

MATERIALS	CODE
304 SS	C
316 SS	S
Monel®	M
Hastelloy B/C	G/H
Carpenter 20	D
Chrome Moly F11/F22	FA/FB
Duplex 2205 S/S	J
Super Duplex S32750	SD
Iconel 600	W
Titanium	TI
Carbon Steel	B

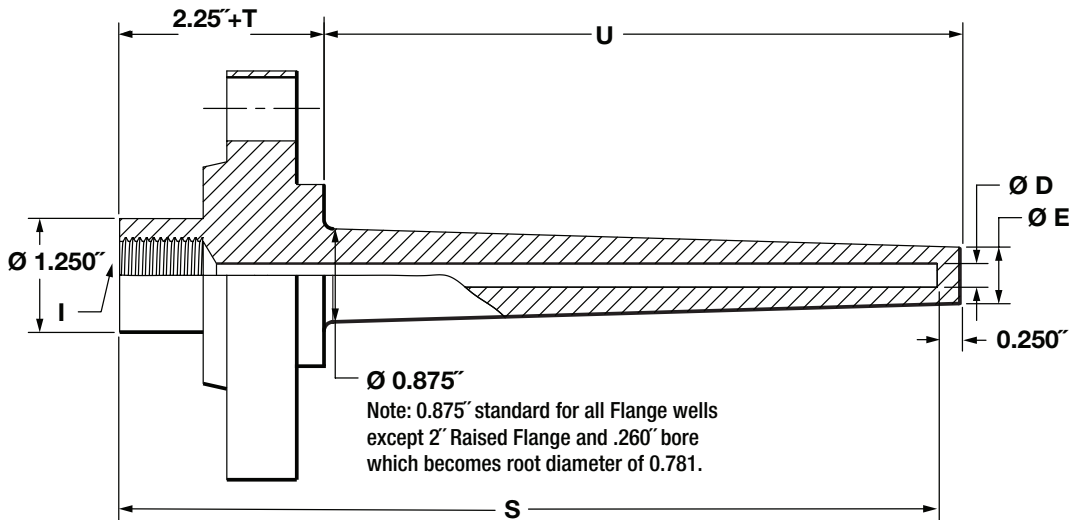
Flanged Thermowells

ORDERING CODE	EXAMPLE:	10	W	0400	L	H	F	260	S	2	XNF	F	150	L0350
Process Connection Size														
	10 - 1"	10												
	15 - 1½"													
	20 - 2"													
Thermowell														
	W - Thermowell		W											
U-Process Insertion Length														
	0400 - 4"			0400										
	0700 - 7"													
	1000 - 10"													
	1300 - 13"													
	1600 - 16"													
	2200 - 22"													
I-Instrument Connection														
	Blank - ½ NPSM													
	2 - ½ NPT Female													
Lagging														
	Blank - No lagging													
	L - Lagging (For special lag length, see below)				L									
Shank														
	H - Tapered					H								
	S - Straight													
	R - Stepped													
Process Connection														
	F - Flanged						F							
D-Bore Diameter														
	260 - 0.260"						260							
	385 - 0.385"													
Material (Refer to Table 2)														
	C - 304 SS													
	S - 316 SS							S						
Cap and Chain														
	Blank - No cap and chain													
	1 - Brass													
	2 - SS									2				
Options - (see Table 1 on page 1 for additional options (If choosing an option(s) must include an "X")											X			
	NF - Stamp tag number on thermowell											NF		
Flange Facing														
	F - Flat											F		
	R - Raised													
	J - Ring joint													
Flange Rating														
	150 - 150												150	
	300 - 300													
	600 - 600													
	900 - 900													
	1500 - 1500													
	2500 - 2500													
Special Lagging Length														
	L - Lagging length × 100 (ex: 3.5" × 100 = L0350)													L0350

Flanged Thermowells

DIMENSIONS

For reference only, consult Ashcroft for specific dimensional drawings



Flanged Tapered	
D	E
0.260"	0.625"
0.385"	0.766"
Standard "U" Insertion Depth	Standard "S" Element Length
2	4
4	6
7	9
10	12
13	15
16	18
22	24

Thermowell Legend
I - Instrument connection ($\frac{1}{2}$ " NPSM is STD.)
E - Tip O.D.
D - Bore diameter
U - Insertion depth
S - Instrument stem length or bore depth