

Data Sheet

F5504 Differential Pressure Gauge

FEATURES

- 316L Stainless steel case and wetted parts
- Static pressure up to 5,800 psi
- Ingress protection IP67
- External zero adjustment
- Dry or liquid filled

TYPICAL USES

- Refineries
- Power plants
- Chemical and petrochemical plants
- Water and wastewater pressure control
- Marine and offshore
- Mining and metals
- Filtration monitoring
- Level and flow measurement



F5504

100 mm, 160 mm dial size



SPECIFICATIONS

Accuracy:	Stainless steel 316L or Hastelloy® C-276: Class 1.6 with 1.6 % of span Monel® 400: Class 2.5 with 2.5 % of span
Size:	100 mm or 160 mm
Static Pressure: (One side)	1,450 psi (standard) 3,625 psi (optional for ranges 160 inches of water to 600 psi) 5,800 psi (optional for ranges 160 inches of water to 600 psi)
Process Connection:	¼ NPT, ½ NPT, G¼B female
Process Connection Location:	Lower
Case Style:	Open front
Pointer:	Black, aluminum, external zero adjustment Micrometer-Pointer, optional External Adjustment
Movement:	304 Stainless steel
Weather Protection:	IP67, EN 60529/IEC 529
Mounting:	Direct, optional wall, front or 2" pipe mounting
Liquid Fill:	Glycerin, Silicone, Halocarbon®
Certificates:	NACE
Weights in lbs:	See table at page 4

KEY BENEFITS

- Perfect choice for challenging application and installation requirements
- Designed for harsh services
- High reliability and safety

WETTED COMPONENTS

Diaphragm	Housing (Chamber)	O-Ring
316L Stainless steel Hastelloy® C-276 Monel® 400	316L Stainless steel Hastelloy® C-276 Monel® 400	Viton™

NON-WETTED COMPONENTS

Case	Ring	Window
316L Stainless steel	Bayonet ring 316L Stainless steel	Safety glass

Data Sheet

F5504 Differential Pressure Gauge

ORDERING CODE	EXAMPLE:	10	F5504	SS	D	04	L	SP1	SG	1	J	A	B	40IW	-XC3
Size															
10 - 100 mm		10													
16 - 160 mm															
Model															
F5504 - Differential pressure gauge with open front case			F5504												
Diaphragm and Housing Material															
SS - 316L Stainless steel diaphragm and housing				SS											
HS - Hastelloy® C-276 diaphragm and 316L Stainless steel housing															
PS - Monel® 400 diaphragm and 316L Stainless steel housing															
HH - Hastelloy® C-276 diaphragm and housing															
PM - Monel® 400 diaphragm and housing															
Case															
D - Dry case					D										
H - Halocarbon Fill															
G - Glycerin Fill															
S - Silicon Fill															
Process Connection															
04 - ½ NPT Male						04									
25 - ¼ NPT Female															
50 - ½ NPT Female															
51 - G ½ Female															
DM - Oval flange adapter (for use with direct mount manifold)															
Process Connection Location															
L - Lower							L								
Static Pressure															
SP1 - Static pressure maximum 1450 psi								SP1							
SP2 - Static pressure maximum 3625 psi															
SP3 - Static pressure maximum 5800 psi															
Window Material															
SG - Safety glass									SG						
Case Mounting															
0 - Stem mounting															
1 - Front flange (including 2" pipe mounting bracket)										1					
2 - Wall mounting flange															
3 - 2" Pipe mounting bracket															
Accuracy															
J - ±1% of span upscale accuracy (316 Stainless steel only)											J				
L - ±1.6% of span full scale (316 Stainless steel and Hastelloy® C-276 only)															
M - ±2.5% of span full scale (Monel® wetted parts only)															
Manifold Type (Attached to Gauge)															
A - None												A			
B - 316L Stainless steel, 3-Valve Manifold p/n#: 50V023VASS60															
C - 316L Stainless Steel, 5-Valve Manifold p/n#: 50V025VASS60															
Manifold Options (Select all that apply)															
A - None															
B - C3 (Material Certificate per EN 10204 3.1)													B		
C - 2G (Graphoil® Packing)															
D - 1H (Hydrostatic Test)															
E - P7 (ASME B31.1)															
F - TM (Pipe Mounting Bracket)															
G - MQ (Positive Material Identification)															
H - CD-5 (NACE Certification)															
Range (coding examples only, see range table on page 3 for all standard ranges)															
40IW - 40IWD														40IW	

continued on page 3

F5504 Differential Pressure Gauge

ORDERING CODE **EXAMPLE:** 10 F5504 SS D 04 L SP1 SG 1 J A B 40IW -XC3

Options (If choosing an option(s) must include a "X")

Window & Pointer

- EA - External zero adjustment
- EP - Maximum adjustable pointer with polycarbonate window
- EQ - Minimum adjustable pointer with polycarbonate window

Cleaning

- 6B - Cleaned for oxygen service

Tagging and Markings

- NH - Stainless steel tag, wired
- DA - Dial marking

Testing/Certificates

- CD2 - Material test report according to EN 10204 / 2.2
- C3 - Material report according to EN 10204 /3.1 **-XC3**
- CD5 - Certificate according to NACE for Oilfields MR0175 / ISO 15156 and Refineries MR0103 / ISO 17945
- MQ - Positive Material Identification (PMI)
- C4 - [Traceable calibration certificate](#)
- HY - Hydrostatic pressure test

PRESSURE RANGE TABLE

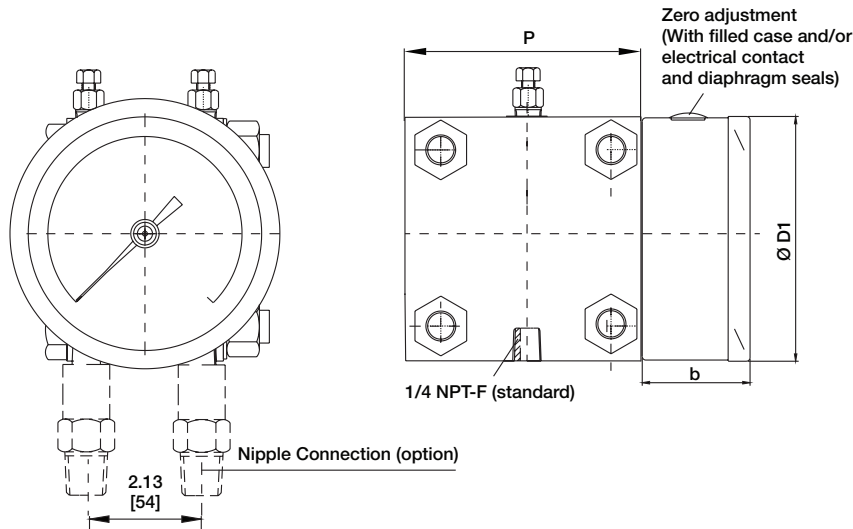
IW	psi #	mbar MB	bar BR	kPa KP
24	3	60	0.6	6
40	5	100	1	10
65	10	160	1.6	16
100	15	250	2.5	25
160	30	400	4	40
240	60	600	6	60
N16/24	100	-	10	100
N24/40	250	N40/60	16	160
N65/60	300	N60/100	25	250
N60/100	400	N100/150	40	400
	600	N150/250	-	600
			N1/0.6	
			N1/1.5	
			N1/3	
			N1/5	

Data Sheet

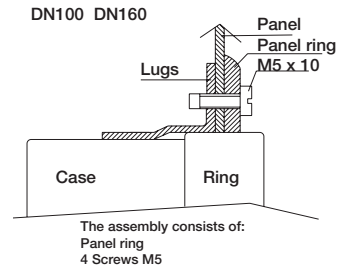
F5504 Differential Pressure Gauge

DIMENSIONS IN INCH [MM]

For reference only, consult Ashcroft for specific dimensional drawings



PANEL MOUNTING



PANEL CUT OUT

DIAL SIZE	CUT OUT Ø
100 mm	4.13 [105]
160 mm	6.50 [165]

DIAL SIZE D1	Range IW	P Dimension: Static Pressure to 1,450 psi	P Dimension: Static Pressure >1,450 to <3,625 psi	P Dimension: Static Pressure >3,625 to 5,800 psi	b
100	≤65	5.5 [140]	-	-	2.0 [51]
	>65 to 100	3.94 [100]	3.94 [100]	-	2.0 [51]
	>100 to 160	3.46 [88]	3.46 [88]	3.94 [100]	2.0 [51]
160	≥65	5.5 [140]	-	-	2.0 [51]
	>65 to 100	3.94 [100]	3.94 [100]	-	2.0 [51]
	>100 to 160	3.46 [88]	3.46 [88]	3.94 [100]	2.0 [51]

WEIGHT (lbs)

DIAL SIZE D1	Range IW	P Dimension: Static Pressure to 1,450 psi	P Dimension: Static Pressure >1,450 to <3,625 psi	P Dimension: Static Pressure >3,625 to 5,800 psi
100	>65 to 100		11.5	-
160	>100 to 160		10	15.4

