

Data Sheet

HPX High Purity Pressure Gauge

50mm and 63mm Dial Sizes

FEATURES

- 316L Stainless steel Wetted parts
- Helium leak tested to 1×10^{-8} atm cc/s
- Cleaned in class 10,000/100 clean room
- Polyethylene-sealed after nitrogen gas flushing

TYPICAL USES

- High purity gas delivery systems
- Gas sticks
- Process gas analyzers
- Semiconductor



SPECIFICATIONS

Accuracy:	±1.5% of span (63mm) ±2.4-1.6-2.4% of span (50mm)
Dial Sizes:	50mm, 63mm
Ranges:	Vacuum to 15 psi, vacuum to 300 psi 0 to 60 psi, 0 to 3,000 psi
Surface Finish:	Tube and fitting < 1.6 µm Ra
Process Connection:	50mm: ¼ Male or female VCR type (¼-18UNF) 63mm: G ¼ B Male, R ¼ Male, ¼ NPT Male, ¼ Male VCR type (¼-18UNF)
Process Conn. Location:	50mm: Lower, center back 63mm: Lower, lower back
Movement:	400 Stainless steel
Window Material:	Glass (63mm) Polycarbonate (50mm)
Dial:	White face, aluminum
Pointer	Black, aluminum
Approvals:	RoHs
Weight:	50mm: Aprox. 100g 63mm: Aprox. 200g

WETTED COMPONENTS

Bourdon Tube	Gland/Socket	Joints
316L SS	316L SS	Argon Arc Welded

NON-WETTED COMPONENTS

Case	Ring
304 Stainless steel	304 Stainless steel

HPX

50mm & 63mm dial size



KEY BENEFITS

- Ultraclean design & packaging
- 100% Helium leak tested
- Serialized dial (7 digit)

MIN/MAX TEMPERATURE LIMITS

Ambient	Process	Storage
23°F to 113°F (-5°C to 45°C)	23°F to 113°F (-5°C to 45°C)	23°F to 113°F (-5°C to 45°C)

Data Sheet

HPX High Purity Pressure Gauge

50mm and 63mm Dial Sizes

ORDERING CODE	Example:	50	H	PXG	MVS	B	V/150#
Size							
50 - 50mm		50					
63 - 63mm							
Gauge Family							
H - High Purity Gauge			H				
Purity Level							
PXG - Class 100 (63mm) / Class 10000 (50mm)				PXG			
Process Connection							
MVF - Male 1/16"-18 (1/4" VCR Compatible, (63mm only)							
MGF - G 1/4 B Male (63mm only)							
MRF - R 1/4 Male (63mm only)							
MNF - 1/4 NPT Male (63mm only)							
MVS - 1/4 Male swivel VCR type (1/16"-18 UNF male); 50mm only					MVS		
FVS - 1/4 Female swivel CVC type (1/16"-18 UNF female); 50mm only							
Process Connection Location							
L - Lower							
B - Back (50mm: center back, 63mm: lower back)						B	
Range							
# - PSI							
V/# - Inches of Mercury Vacuum and PSI							V/150#
BR - Bar							
KP - Kilopascals							
MP - Megapascals							

Data Sheet

HPX High Purity Pressure Gauge

50mm and 63mm Dial Sizes

STANDARD RANGES			
psi	bar	kPa	MPa
V/15#	N1/1BR	N100/100KP	NP1/P1MP
V/30#	N1/2BR	N100/200KP	NP1/P2MP
V/45#	N1/3BR	N100/300KP	NP1/P3MP
V/60#	N1/4BR	N100/400KP	NP1/P4MP
-	N1/6BR	N1/600KP	NP1/P6MP
V/150#	N1/10BR	N1/1000KP	NP1/1MP
V/200#	N1/15BR	N1/1500KP	NP1/1PMP
V/300#	N1/20BR	N1/2000KP	NP1/2MP
60#	4BR	400KP	P4MP
-	6BR	600KP	P6MP
100#	-	-	-
150#	10BR	1000KP	1MP
200#	-	-	-
-	16BR	1600KP	1P6MP
300#	-	-	-
-	25BR	2500KP	2P5MP
500#	-	-	-
600#	40BR	-	4MP
-	60BR	-	6MP
1000#	70BR	-	7MP
1500#	100BR	-	10MP
2000#	-	-	15MP
-	160BR	-	16MP
3000#	-	-	20MP
-	250BR	-	25MP

Data Sheet

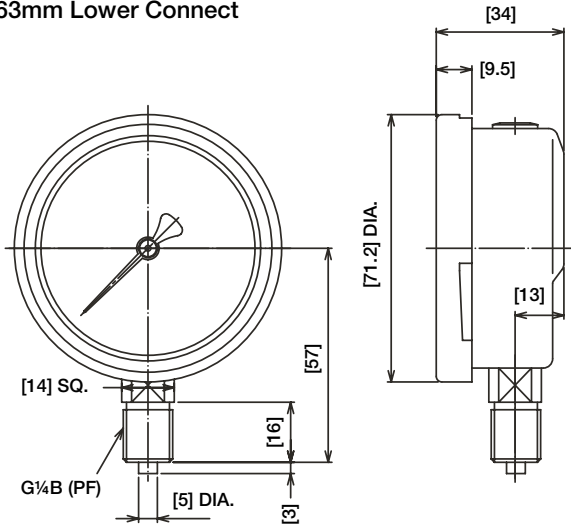
HPX High Purity Pressure Gauge

50mm and 63mm Dial Sizes

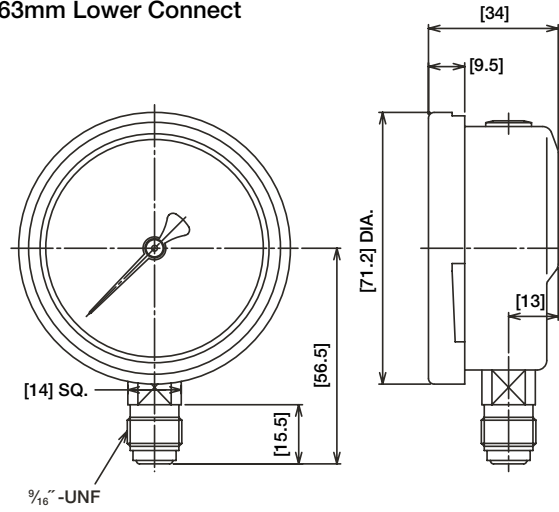
DIMENSIONS in millimeters

For reference only, consult Ashcroft for specific dimensional drawings

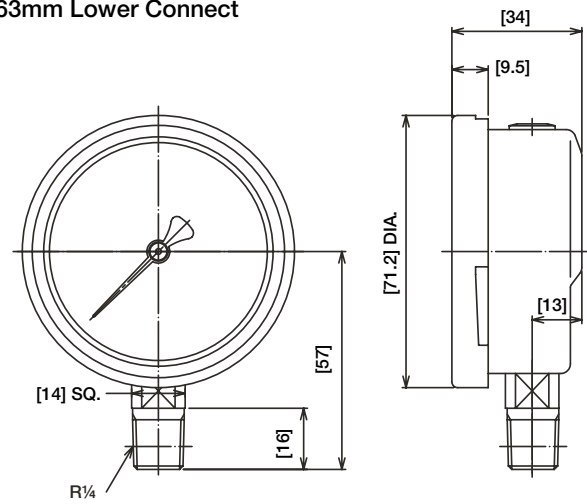
63mm Lower Connect



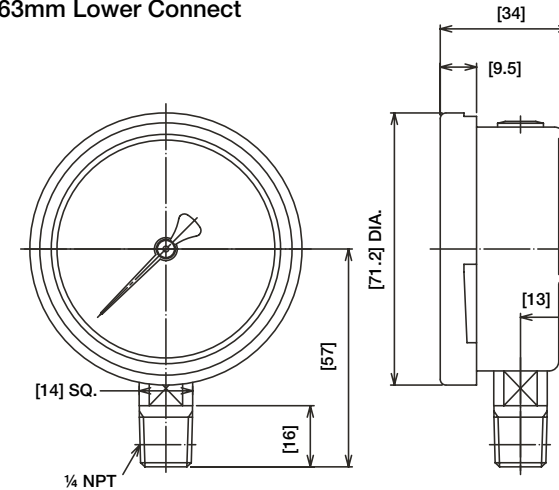
63mm Lower Connect



63mm Lower Connect



63mm Lower Connect



Data Sheet

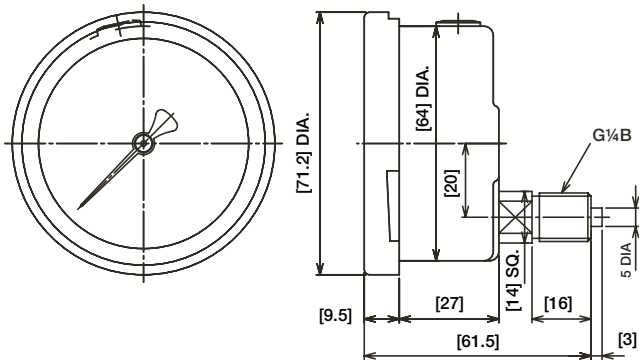
HPX High Purity Pressure Gauge

50mm and 63mm Dial Sizes

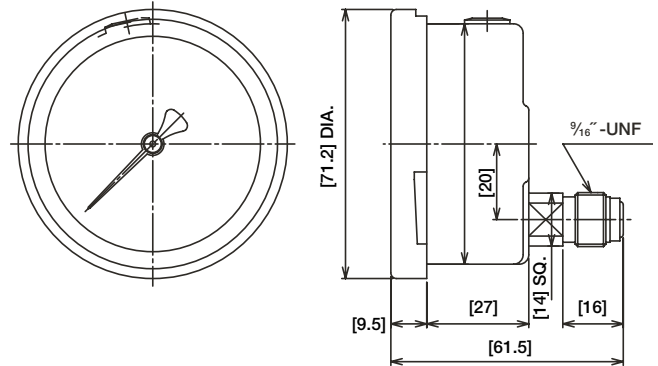
DIMENSIONS in millimeters

For reference only, consult Ashcroft for specific dimensional drawings

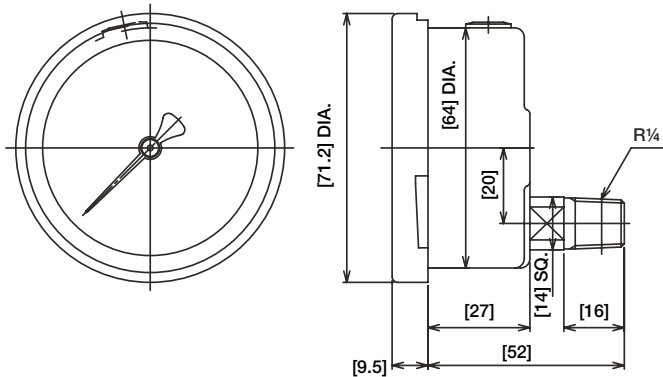
63mm Back Connect



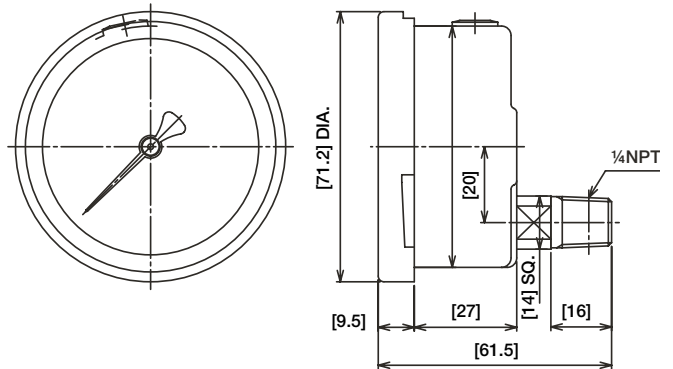
63mm Back Connect



63mm Back Connect



63mm Back Connect



Data Sheet

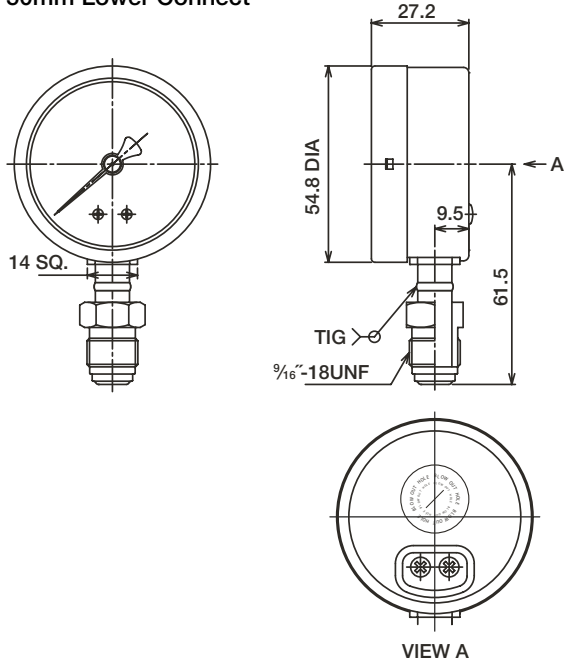
HPX High Purity Pressure Gauge

50mm and 63mm Dial Sizes

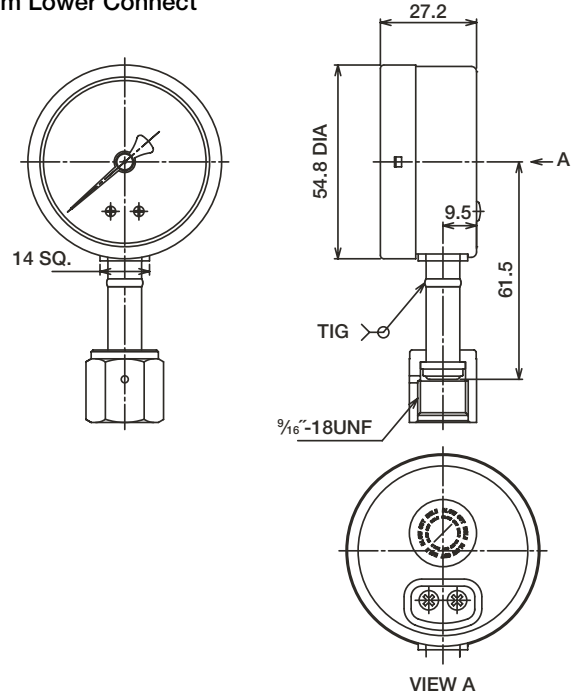
DIMENSIONS in millimeters

For reference only, consult Ashcroft for specific dimensional drawings

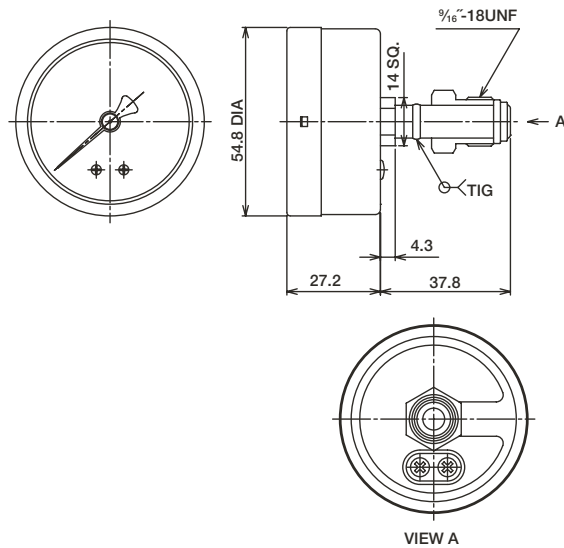
50mm Lower Connect



50mm Lower Connect



50mm Back Connect



50mm Back Connect

