

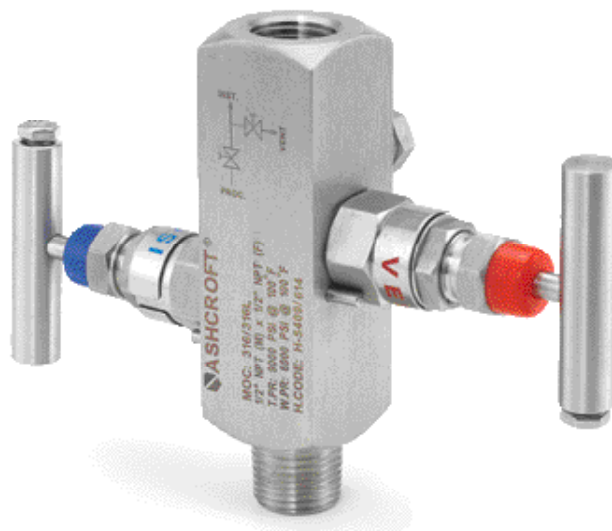
## Block and Bleed 2-Valve Manifold - V01 Series

### FEATURES

- Isolates and bleeds process from instrument assembly
- 316L Stainless steel construction
- Externally adjustable gland
- Reinforced gland body protection
- Blowout protection
- Non-rotating needle provides bubble tight shut-off

### TYPICAL USES

- Oil & Gas Industry
- Chemical Industry
- Power Plants



### SPECIFICATIONS

Process Conn:	1/2 NPTM, 1/2 NPTF
Instrument Conn:	1/2 NPTF
Construction:	316L Stainless steel
Max Pressure	
Rating:	6000 psi (414 bar) at 100°F (38°C)

- PTFE Packing
- Dust cap protects internals from contaminants
- 1/4 NPT Vent port with pipe plug

### COMPONENTS

### MATERIAL

#### Wetted

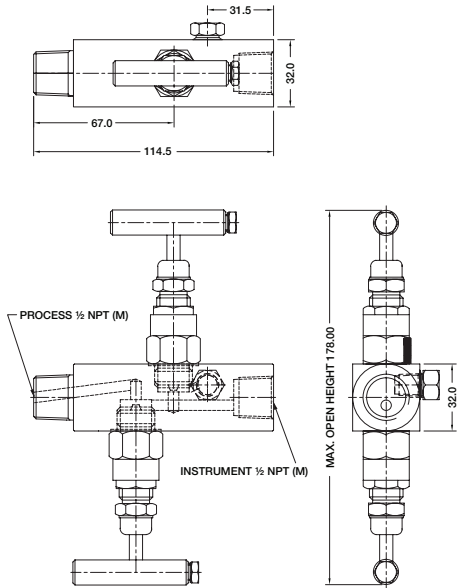
Body	316L Stainless steel
Gland body	316L Stainless steel
Spindle	316L Stainless steel
Washer	316L Stainless steel
Gland seal	PTFE
Plug 1/4 NPT (M)	316L Stainless steel

#### Non-Wetted

Gland retainer	304 Stainless steel
Check nut	304 Stainless steel
Handle	304 Stainless steel
Lock pin	304 Stainless steel
Dust cap	P.V.C.

## Block and Bleed 2-Valve Manifold - V01 Series

### DIMENSIONS (dimensions are decimal inches)



### ORDERING CODE

<b>Example:</b>	04	V01	2VA	SS	50	XP7
<b>Process Connection</b>						
04-1/2 NPT Male	04					
50-1/2 NPT Female						
<b>Series Code</b>						
V01-Valve		V01				
<b>Version</b>						
2VA-Valve style A			2VA			
<b>Material</b>						
SS-316 Stainless steel				SS		
<b>Instrument Connection</b>						
50-1/2 NPT Female					50	
<b>Options</b>						
HY-Hydrostatic testing						
NH-Stainless steel tag						
P7-Compliance with power piping ASME B31.1						XP7