

## Data Sheet

### 1198 Finned Siphon

#### FEATURES

- For pressure ratings to 3000 psi
- For process temperature ratings to 700°F (371°C)
- Compatible with many process media
- For use with gauges, switches, transducers and diaphragm seals

#### TYPICAL USES

- Chemical and petrochemical
- Oil and gas
- Pulp and paper
- Power



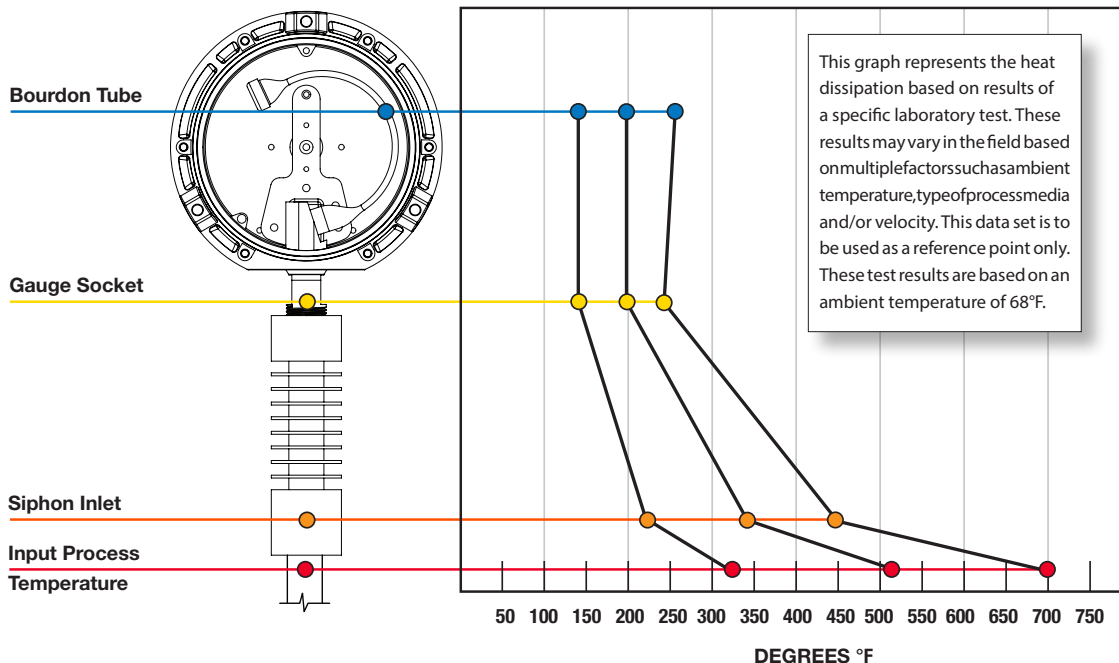
#### SPECIFICATIONS

Process Conn:	¼ NPTM, ½ NPTM
Instrument Conn:	¼ NPTF, ½ NPTF
Materials:	316L stainless steel, Monel
Max Allowable Working Pressure:	3,000 psi (700°F)
Wetted Components:	316L stainless steel

#### KEY BENEFITS

- Protects instrument from elevated temperatures
- Direct mounting of instrument with siphon to the process
- Built-in dampening mechanism combats pulsation

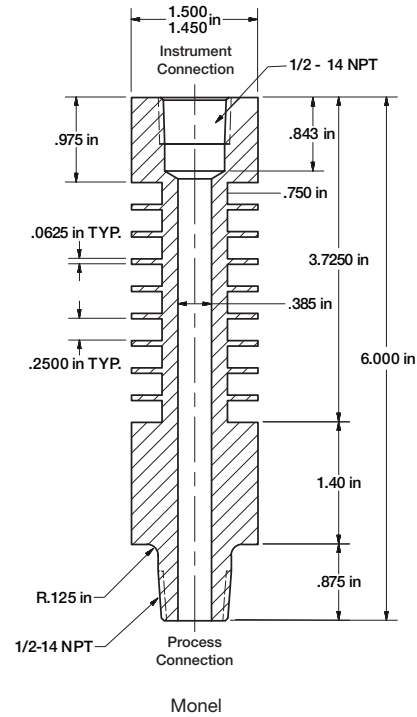
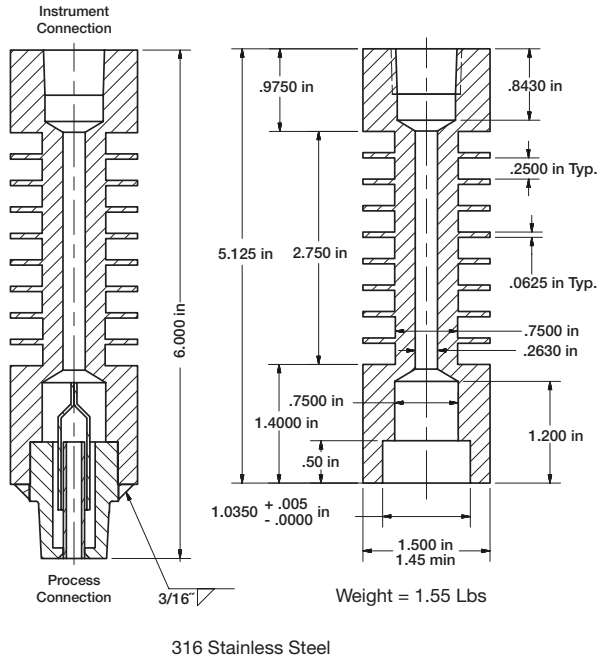
#### FINNED SIPHON HEAT DISSIPATION CHART



**Data Sheet**

**1198 Finned Siphon**

**DIMENSIONS**



**ORDERING CODE** Example: 04 1198 SS 50 X5GC3

**Process Connection**

- 02 - ¼ NPT Male, available with (25) ¼ NPT Female inst. connect only
- 04 - ½ NPT Male, available with (50) ½ NPT Female inst. connect only

**Model**

1198 - Finned siphon 1198

**Material**

- SS - 316L stainless steel SS
- PM - Monel\*

**Instrument Connection**

- 25 - ¼ NPT Female
- 50 - ½ NPT Female 50

**Options (If choosing an option(s) must include an "X")**

- 5G - Instrument assembly: pressure gauge, siphon 5G
- F3 - Instrument assembly: pressure gauge, diaphragm seal, siphon
- NH - Wired stainless steel tag
- 6B - Cleaned for oxygen
- 6W - Cleaned for oxidizing process other than oxygen
- C3 - Material certificate (Compliance to EN 10204.2004 3.1) C3

\*Monel design does not include built-in dampening mechanism