

1143 Differential Pressure Gauge

FEATURES

- Glass filled nylon case
- High static pressure capability of 500 psi
- Ranges from 1 IWD to 25 IWD
- Reed switches (OPT.) for direct system control
- Superior magnets for smoother pointer motion
- Buna-N Diaphragm & O-Rings (others available)
- Large convoluted diaphragm actuator

TYPICAL USES

- Filtration monitoring
- Flow measurement
- Liquid level indication
- Leak detection

SPECIFICATIONS

Accuracy:	±2% ascending pressure full scale differential
Sizes:	4 1/2", 6"
Ranges:	0-1 IWD thru 0-25 IWD
Process Connection Location:	Lower, back, in-line
Process Connection Size:	1/4 NPT Female (STD.), 1/8 NPT or 1/2 NPT Female adapters (OPT.)
Migration:	Zero migration of process media
Maximum Process Temperature:	175°F (80°C)
Minimum Ambient Temperature:	Buna-N Diaphragm -4°F (-20°C) EPDM Diaphragm -40°F (-40°C) Viton Diaphragm 32°F (0°C)
Maximum Static Pressure:	500 psi
Over-Pressure:	Single sided (low side only) over pressure 10 times the range of the gauge
Weather Protection:	IP65

WETTED COMPONENTS

Actuator	O-Rings/Diaphragm	Body Material
Convoluted Diaphragm	Buna-N	Aluminum, or stainless steel

Ceramic magnet & stainless steel spring are also wetted components

NON-WETTED COMPONENTS

Case Material	Window
Thermoplastic, glass filled nylon	Glass (STD.), Safety glass or plastic (OPT.)



1143
4 1/2", 6" dial sizes

KEY BENEFITS

- Panel or direct mount
- Easily removed window for cleaning
- 5 year warranty

RATINGS FOR STANDARD REED SWITCHES

Switches	Contact Rating	Current	Voltage
SPST	10 VA ac (rms) or dc (Max.)	0.5 Amp ac (rms) or dc (Max.)	100 Vac/Vdc (Max.)
SPDT	3 VA ac (rms) or dc (Max.)	0.3 Amp ac (rms) or dc (Max.)	30 Vac/Vdc (Max.)

1143 Differential Pressure Gauge

ORDERING CODE	Example:	60	1143	S	D	25	S	XV1	5IW
Size									
45 - 4½"									
60 - 6"		60							
Model			1143						
1143 - Large convoluted diaphragm									
Body Material									
F - Aluminum									
S - Stainless Steel				S					
Case Fill									
D - Dry					D				
Process Connection Size									
25 - ¼ NPT Female						25			
Process Connection Location									
S - In-Line							S		
L - Lower									
B - Back									
Options (If choosing an option(s) must include an "X")								X__	
BF - Surface mounting plate									
CS - Dual scale									
DD - Color band (any combination of green, yellow, red)									
GE - ⅛ NPT Female adapters									
GM - ½ NPT Female adapters									
EP - Maximum pointer									
VD - Viton® O-rings & diaphragms									
EM - EPDM O-rings & diaphragms									
PD - Plastic window									
SG - Safety glass									
TM - Pipe mounting bracket									
V1 - 1-SPST switch w/DIN plug	(Adj. 20-80% of range, Preset @ 80%)							V1	
V3 - 2-SPST switch w/DIN plug	(Adj. 20-80% of range, Preset @ 80%)								
V5 - 1-SPDT switch w/DIN plug	(Adj. 20-80% of range, Preset @ 80%)								
V7 - 2-SPDT switch w/DIN plug	(Adj. 20-80% of range, Preset @ 80%)								
Range (coding examples only, see range table on page 3 for all standard ranges.)									
5IW - 5 IWD									5IW

1143 Differential Pressure Gauge

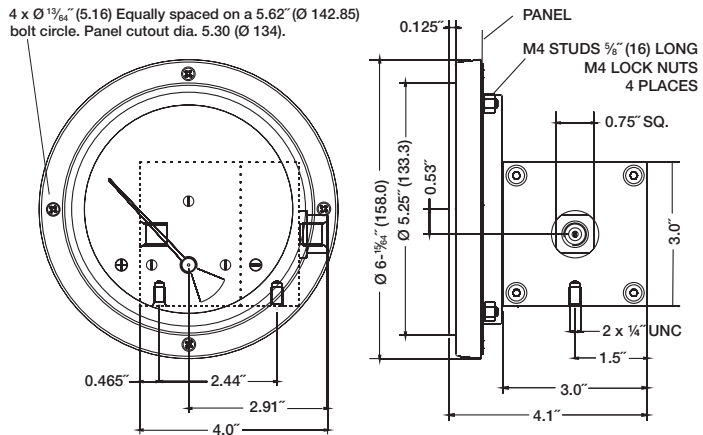
1143 - Single Scale	
in. H ₂ O	mmH ₂ O
1IW	25MW
2IW	50MW
5IW	125MW
10IW	250MW
25IW	600MW

DIMENSIONS

For reference only, consult Ashcroft for specific dimensional drawings.

1143 - 4½" (115mm) Dial Size

4 x Ø 1/8" (5.16) Equally spaced on a 5.62" (Ø 142.85) bolt circle. Panel cutout dia. 5.30 (Ø 134).



1143 - 6" (150mm) Dial Size

6 x Ø 1/8" (5.16) Equally spaced on a 7.00" (Ø 177.8) bolt circle. Panel cutout dia. 6.22 (Ø 158).

