

## 1141 Differential Pressure Gauge

### FEATURES

- Glass filled nylon case
- High static pressure capability of 3,000 psi
- Ranges from 5 psid to 100 psid
- Reed switches optional for direct system control
- Buna-N diaphragm & O-rings (others available)
- Rolling diaphragm actuator (cannot see reverse pressure)

### TYPICAL USES

- Filtration monitoring
- Flow measurement
- Leak detection and pressure drop

### SPECIFICATIONS

Accuracy:	±2% ascending pressure full scale differential
Sizes:	2 1/2", 4 1/2", 6"
Ranges:	0-5 thru 0-100 psid
Process Connection Location:	Lower, back, in-line
Process Connection Size:	1/4 NPT Female (STD.), 1/8 NPT or 1/2 NPT Female Adapters (OPT.)
Migration:	Zero migration of process media
Maximum Process Temperature:	175°F (80°C)
Minimum Ambient Temperature:	Buna-N Diaphragm -4°F (-20°C) EPDM Diaphragm -40°F (-40°C) Viton Diaphragm 32°F (0°C)
Maximum Static Pressure:	3,000 psi single sided static (never pressurize only low side beyond 360 psi)
Weather Protection:	IP65

### WETTED COMPONENTS

Actuator	O-Rings/Diaphragm	Body Material
Rolling Diaphragm	Buna-N	Aluminum, brass or stainless steel

Ceramic magnet & SS spring are also wetted components

### NON-WETTED COMPONENTS

Case Material	Window
Thermoplastic, glass filled nylon	Glass (STD.), Safety glass or plastic (OPT.)



**1141**  
2 1/2", 4 1/2", 6" dial sizes

### KEY BENEFITS

- For high differential and high static pressure
- For locations where temperature fluctuations can cause condensation
- Low Cost
- Panel or direct mounting
- Easy removable window for cleaning
- 5 year warranty

### RATINGS FOR STANDARD REED SWITCHES

Switches	Contact Rating	Current	Voltage
SPST	10 VA ac (rms) or dc (Max.)	0.5 Amp ac (rms) or dc (Max.)	100 Vac/Vdc (Max.)
SPDT	3 VA ac (rms) or dc (Max.)	0.3 Amp ac (rms) or dc (Max.)	30 Vac/Vdc (Max.)

# 1141 Differential Pressure Gauge

ORDERING CODE	Example:	45	1141	A	D	25	S	XV1	5#
<b>Size</b>									
25 - 2½"									
45 - 4½"									
60 - 6"									
<b>Model</b>									
1141 - Rolling diaphragm (cannot see reverse pressure) 1141									
<b>Body Material</b>									
A - Brass A									
F - Aluminum									
S - Stainless Steel									
<b>Case Fill</b>									
D - Dry D									
<b>Process Connection Size</b>									
25 - ¼ NPT Female 25									
<b>Process Connection Location</b>									
S - In-Line S									
L - Lower									
B - Back									
<b>Options (If choosing an option(s) must include an "X")</b>									
CS - Dual scale X__									
DD - Color band (any combination of green, yellow, red)									
GE - ⅛ NPT Female adapters									
GM - ½ NPT Female adapters									
EP - Maximum pointer									
VD - Viton® O-rings & diaphragm									
EM - EPDM O-rings & diaphragm									
PD - Plastic window									
SG - Safety glass									
TM - Pipe mounting bracket									
V1 - 1-SPST switch w/DIN plug (Adj. 30-100% of range, Preset @ 80%) V1									
V2 - 1-SPST switch w/terminal strip (Adj. 30-100% of range, Preset @ 80%)									
V3 - 2-SPST switch w/DIN plug (Adj. 30-100% of range, Preset @ 80%)									
V4 - 2-SPST switch w/terminal strip (Adj. 30-100% of range, Preset @ 80%)									
V5 - 1-SPDT switch w/DIN plug (Adj. 30-100% of range, Preset @ 80%)									
V6 - 1-SPDT switch w/terminal strip (Adj. 30-100% of range, Preset @ 80%)									
V7 - 2-SPDT switch w/DIN plug (Adj. 30-100% of range, Preset @ 80%)									
V8 - 2-SPDT switch w/terminal strip (Adj. 30-100% of range, Preset @ 80%)									
<b>Range (coding examples only, see range table on page 3 for all standard ranges.)</b>									
5# - 5 psid 5#									

# 1141 Differential Pressure Gauge

1141- Single Scale			
psid	kg/cm <sup>2</sup>	bar	kPa
-	0.25KSC	0.25BR	25KPa
5#	-	-	-
7#	0.5KSC	0.5BR	50KPa
10#	0.75KSC	0.75BR	75KPa
15#	1KSC	1BR	100KPa
20#	-	-	-
25#	-	-	-
30#	2KSC	2BR	200KPa
-	2.5KSC	2.5BR	250KPa
40#	-	-	-
60#	4KSC	4BR	400KPa
100#	7KSC	7BR	700KPa

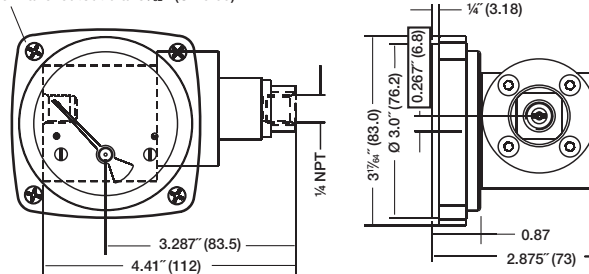
other ranges available upon request

## DIMENSIONS

For reference only, consult Ashcroft for specific dimensional drawings.

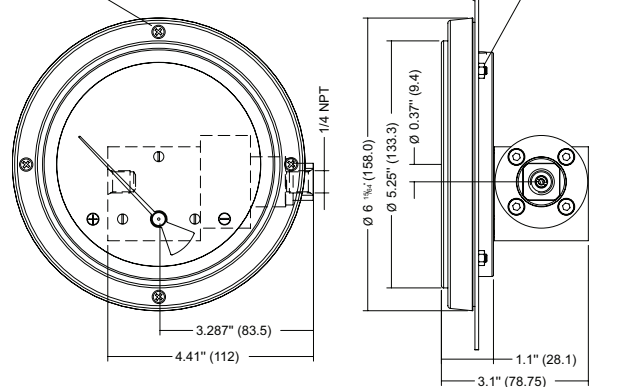
### 1141 - 2½" (63mm) Dial Size

4 x Ø 1/4" Equally spaced on a 3.5" bolt circle. Panel cutout dia. 3 1/2" (Ø 76.99).



### 1141 - 4½" (115mm) Dial Size

4 x Ø 5/16" (5.16) Equally spaced on a Ø 5.62" (142.85) bolt circle. Panel cutout dia. 5.30" (Ø 134)



### 1141 - 6" (150mm) Dial Size

6 x Ø 1/4" (5.16) Equally spaced on a Ø 7.00" (177.80) bolt circle. Panel cutout dia. 6.22" (Ø 158).

