

Data Sheet

1098 & 1100 Siphons

FEATURES

- Dissipates elevated live steam temperature
- Rugged design for direct mounting
- Reduces process temperature to protect attached instrument

TYPICAL USES

- Chemical and petrochemical
- Oil and gas
- Pulp and paper
- Power

SPECIFICATIONS

Process Conn:	1098: ¼ NPT Male, ½ NPT Male 1100: ¼ NPT Male
Instrument Conn:	1098: ¼ NPT Male, ¼ NPT Female, ½ NPT Male, ½ NPT Female 1100: ¼ NPT Male
Max Allowable Working Pressure:	See page 3 for (mawp) maximum allowable working pressures

WETTED COMPONENTS

1098	Black steel, brass, 106 seamless steel, 213 seamless steel & 316 seamless SS
1100	Black steel, brass, SS



1098
Coil Siphon

1100
Pig Tail Siphon

KEY BENEFITS

- Protects instrument from elevated temperatures
- Stem mount instrument to process

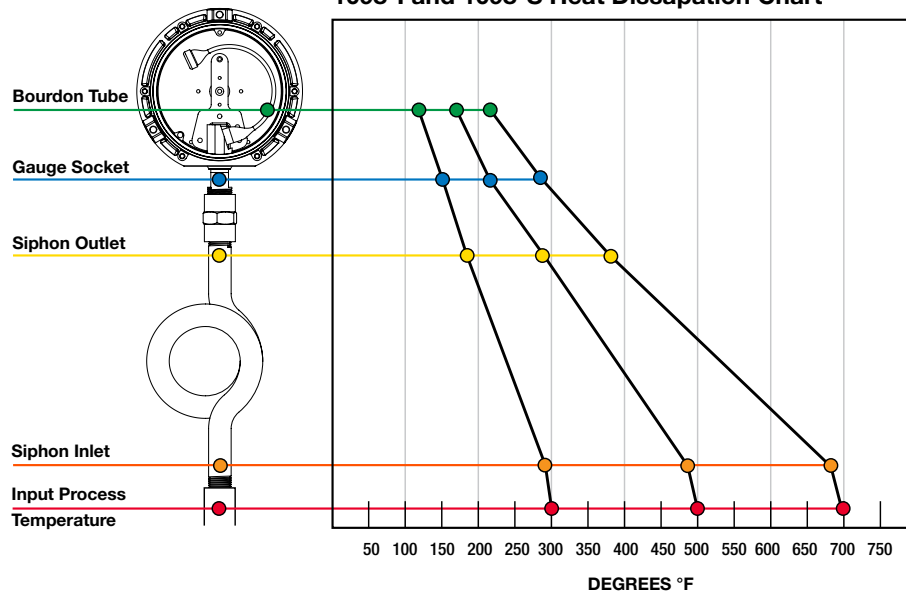
Data Sheet

1098 & 1100 Siphons

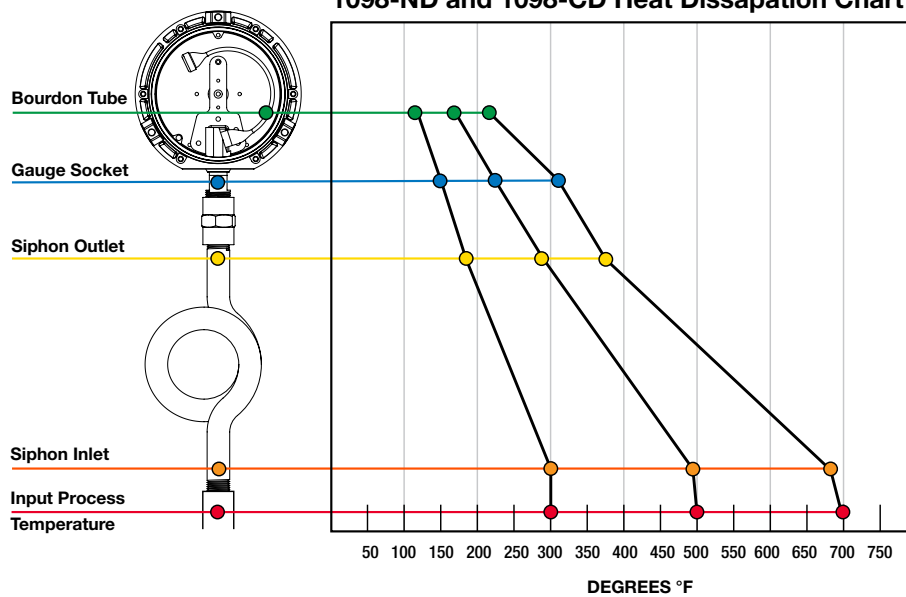
SIPHON HEAT DISSIPATION CHARTS

These graphs represents the heat dissipation based on results of a specific laboratory test. These results may vary in the field based on multiple factors such as ambient temperature, type of process media and/or velocity. This data set is to be used as a reference point only. These test results are based on an ambient temperature of 68°F.

1098-I and 1098-S Heat Dissipation Chart



1098-ND and 1098-CD Heat Dissipation Chart



Data Sheet

1098 & 1100 Siphons

ORDERING CODE		Example:	02	1098	S	25	X5G
Process Connection (process and instrument connection size must be the same size)							
02 - ¼ NPT Male			02				
04 - ½ NPT Male (1098 only)							
Model							
1098 Coil pipe				1098			
1100 Pig tail							
Material	MAWP			Pipe Schedule			
I - Black steel pipe (1098 6½" or 1100 6⅝" long)	500 psi at 400°F (204°C)			40			
IL - Black steel pipe 8" long (1100 only)	500 psi at 400°F (204°C)			40			
IN - Black steel pipe angle (1100 only)	500 psi at 400°F (204°C)			40			
B - Brass (1098 6½" or 1100 5⅝" long)	250 psi at 400°F (204°C)			40			
BL - Brass 8" (1100 only)	250 psi at 400°F (204°C)			40			
A - SS (1100 only)	500 psi at 400°F (204°C)			40			
S - ASTM A-106 seamless steel, Grade A (1098 only)	338 psi at 1,000°F to 3,360 psi from -20°F to 400°F (204°C)			80		S	
SD - ASTM A-106 seamless steel, Grade A (1098 only w/½ NPT)	420 psi at 1,000°F to 3,740 psi from -20°F to 400°F (204°C)			160			
CD - ASTM A-213 seamless steel, Grade T 22 (1098 only w/½ NPT)	1,048 psi at 1,200°F to 9,550 psi from -20°F to 400°F (204°C)			XXS			
NS - Seamless SS, Type 316 (1098 only w/½ NPT)	294 psi at 1,500°F to 3,981 psi from -20°F to 100°F (38°C)			80			
ND - Seamless SS, Type 316 (1098 only w/½ NPT)	336 psi at 1,500°F to 5,840 psi from -20°F to 100°F (38°C)			160			
Instrument Connection (process and instrument connection size must be the same size)							
02 - ¼ NPT Male							
04 - ½ NPT Male (1098 only)							
25 - ¼ NPT Female						25	
50 - ½ NPT Female (1098 only)							
Options (if choosing an option(s) must include an "X")							
NH - SS tag wired to siphon						X _ _	
5G - Siphon attached to instrument, (siphon must mate with instrument)						5G	

Data Sheet

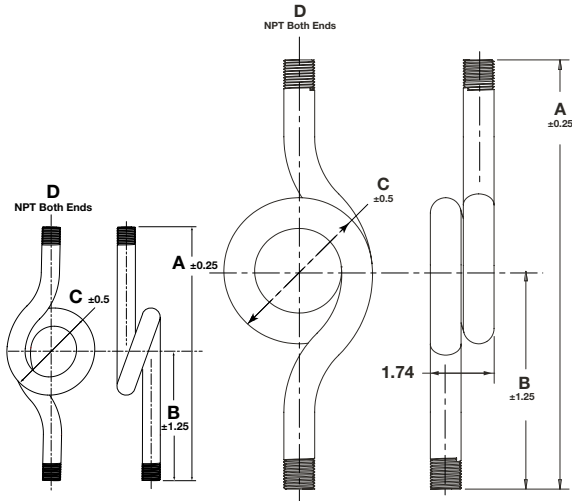
1098 Siphons

DIMENSIONS

For reference only, consult Ashcroft for specific dimensional drawings.

1098 Siphon - ¼ NPT

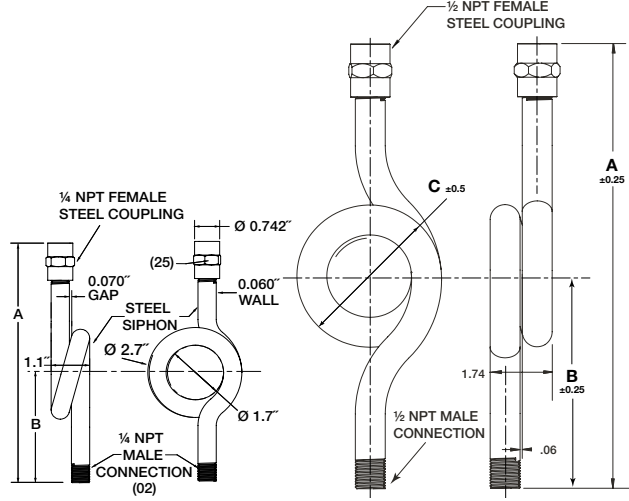
1098 Siphon - ½ NPT



1098	A	B	C	D
1098B	6½	3¼	2½	¼ NPT
1098I	6½	3¼	2½	¼ NPT
1098BT	6½	3¼	2½	¼ NPT
1098S	6½	3¼	2½	¼ NPT
1098S	11½	5¾	3⅞	½ NPT
1098 SD	11½	5¾	3⅞	½ NPT
1098ND	11½	5¾	3⅞	½ NPT
1098CD	11½	5¾	3⅞	½ NPT
1098M	11½	5¾	3⅞	½ NPT
1098NS	11½	5¾	3⅞	½ NPT

1098 Siphon - ¼ NPT Female

1098 Siphon- ½ NPT Female



1098	Instrument Connection	Process Connection	A	B	C
1098B	¼ NPT Female	¼ NPT Male	7	3¼	2½
1098I	¼ NPT Female	¼ NPT Male	7	3¼	2½
1098BT	¼ NPT Female	¼ NPT Male	7	3¼	2½
1098S	¼ NPT Female	¼ NPT Male	7	3¼	2½
1098S	½ NPT Female	½ NPT Male	12½	5¾	5⅞
1098D	½ NPT Female	½ NPT Male	12½	5¾	5⅞
1098ND	½ NPT Female	½ NPT Male	12½	5¾	5⅞
1098CD	½ NPT Female	½ NPT Male	12½	5¾	5⅞
1098M	½ NPT Female	½ NPT Male	12½	5¾	5⅞
1098NS	½ NPT Female	½ NPT Male	12½	5¾	5⅞

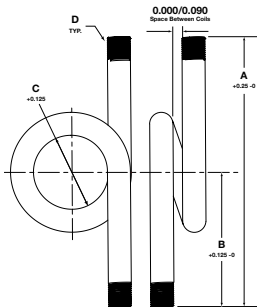
Data Sheet

1100 Siphons

DIMENSIONS

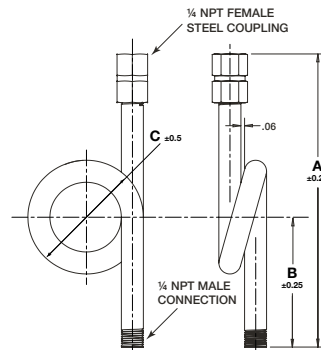
For reference only, consult Ashcroft for specific dimensional drawings.

1100 Siphon - 1/4 NPT



1100	A	B	C	D
1100A	6 ⁵ / ₈	3 ⁵ / ₁₆	1 ⁷ / ₈	1/4 NPT
1100B	5 ⁵ / ₈	2 ¹³ / ₁₆	2 1/4	1/4 NPT
1100BL	8 1/4	4 1/8	2 1/8	1/4 NPT
1100C	5 ⁵ / ₈	2 ¹³ / ₁₆	2 1/4	1/4 NPT
1100I	6 ⁵ / ₈	3 ⁵ / ₁₆	1 ⁷ / ₈	1/4 NPT
1100IL	8 1/4	4 1/8	2 ³ / ₈	1/4 NPT

1100 Siphon - 1/4 NPT Female



1100	Instrument Connection	Process Connection	A	B	C
1100DA	1/4 NPT Female	1/4 NPT Male	7 1/4	3 ¹⁵ / ₁₆	1 ⁷ / ₈
1100B	1/4 NPT Female	1/4 NPT Male	6 1/4	2 ¹³ / ₁₆	2 1/4
1100BL	1/4 NPT Female	1/4 NPT Male	8 7/8	4 1/8	2 1/8
1100C	1/4 NPT Female	1/4 NPT Male	6 1/4	2 ¹³ / ₁₆	2 1/4
1100I	1/4 NPT Female	1/4 NPT Male	7 1/4	3 ⁵ / ₁₆	1 ⁷ / ₈
1100IL	1/4 NPT Female	1/4 NPT Male	8 7/8	4 1/8	2 ³ / ₈